

DEPRAG

MINIMAT-ED Digital Electric Screwdriver

Straight handle design: torque ranges between 0.24 - 4.8 Nm

- flexible
- economical
- comfortable
- process reliable
- robust

The updated, more powerful MINIMAT-ED is available in three versions for torques between 0.24 to 4.8 Nm at speeds of 1500 rpm. The speeds can be individually adjusted up to the maximum speed for each screwdriver type. The handheld screwdriver also benefits from a particularly slim design and is comfortably lightweight.

The MINIMAT-ED is recommended for a wide range of applications, particularly for workplaces with varying tightening parameters. There are opportunities for use in controller and control cabinet installations, in reworking stations, in series production or in repair facilities.



ADVANTAGES

■ Flexible

The required torque can be set directly on the screwdriver by the push of a button.

■ Economical

Attractive purchase price and compact size due to the fully integrated controller.

■ Ergonomic

- End value displayed on the screwdriver
- Trigger-start or push-to-start
- Adjustable search run
- Speed for each step is adjustable
- Programming using tablet/smartphone via ComCenter ED
- Integrated quick change chuck for easy bit/socket exchange
- Suspension hanger for balancer hookup
- Low noise level
- Ergonomic design
- Flexible power cable

■ Process reliable

- Torque precision
- Password protected against unauthorized changes to the preset parameter
- Good/Bad cycle indication by LED lights red/green
- ESD-safe
- Integrated diagnostics

■ Robust

As robust as all DEPRAG MINIMAT screwdriver series: absolutely reliable and renowned for durability. The brushless drive enables high performance with low maintenance requirements.

KEEPING THE BEST OF THE OLD

Just like its predecessor the new MINIMAT-ED is reliable, has an extremely long life-span and very high torque precision.

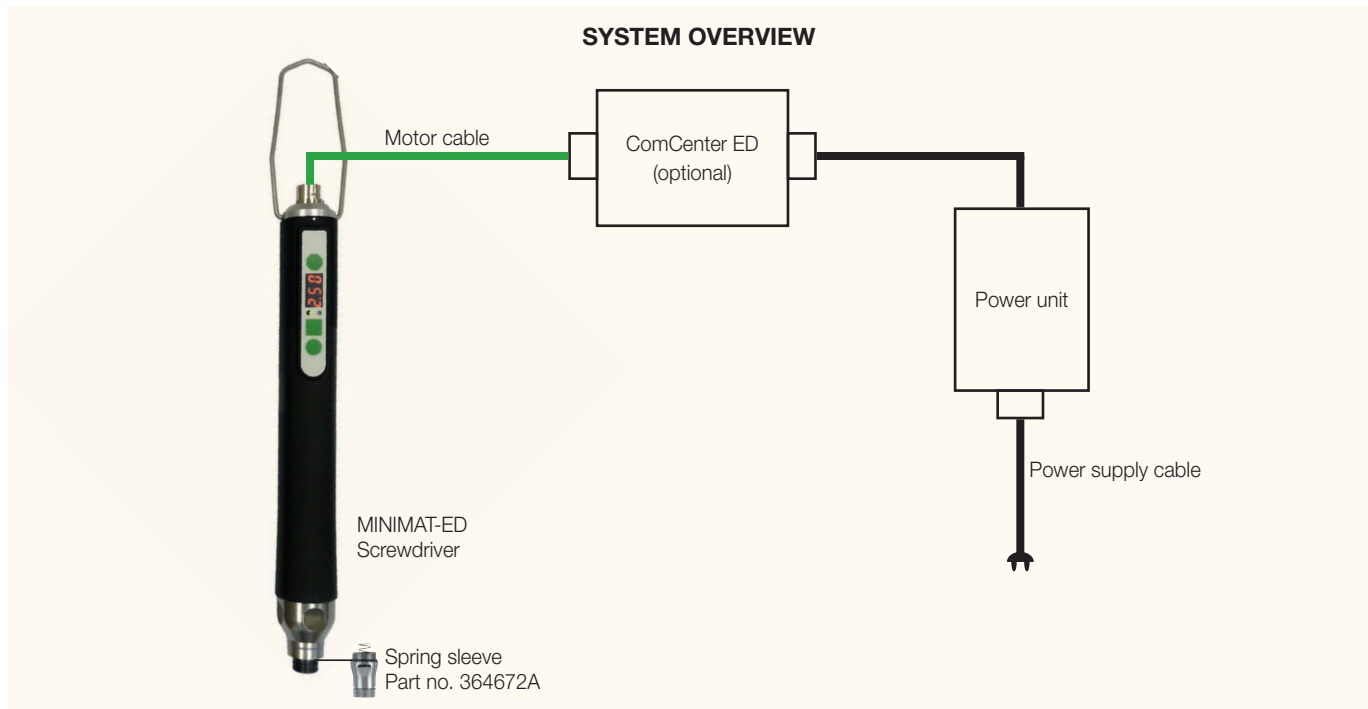
Description of functions

There are five screwdriving procedures stored in the screwdriver, each with identical three stage basic structures:

- Search run
- Screw assembly to torque
- Screw assembly/disassembly to angle

The screwdriving levels can be activated or deactivated individually making variations of the screwdriving procedures possible. By setting the parameters of speed, shut-off torque and shut-off angle the screwdriving program can be adapted to each screw assembly. From each screwdriving program you can switch directly to the associated loosening program using the reversal switch. Select the torque mode to set the preferred version of the torque adjustment. This can either be done by switching between the max. five adjustable screwdriving programs or through the quick change of the shut-off torque in screwdriving program 1.

Additional advantages of the new MINIMAT-ED are the ergonomic grip design, the hanger for the balancer and the integrated quick change chuck for simple tool changes.



It is necessary to use a torque support (e.g. stand, handgrip) for torque: over 4 Nm for straight design and over 10 Nm for pistol grip. Suitable torque supports can be found in our brochure D3345E.

SYSTEM COMPONENTS

MINIMAT-ED SCREWDRIVER, Straight handle design, size 36

Screwdriver	Type	330EG36-0012	330EG36-0018	330EG36-0048
	Part no.	440000A	440000B	440000C
Torque min.	Nm / in.lbs	0.24 / 2.1	0.36 / 3.2	1.0 / 8.85
Torque max.	Nm / in.lbs	1.2 / 10.6	1.8 / 15.9	4.8 / 42.5
Speed	rpm	1500	1500	1000
Diameter	mm / in.	36 / 1.4	36 / 1.4	36 / 1.4
Length	mm / in.	290 / 11.3	290 / 11.3	290 / 11.3
Weight	kg / lbs.	0.75 / 1.65	0.75 / 1.65	0.75 / 1.65
Noise level	dB(A)	63	63	65
Internal hex drive DIN ISO 1173		F6.3 (1/4")	F6.3 (1/4")	F6.3 (1/4")
Suitable inserting tools and connection parts with inserting end DIN ISO 1173		E6.3 (1/4")	E6.3 (1/4")	E6.3 (1/4")

Required accessories

Motor cable	length 2 m/6.6 ft.	Type	Part no.	KS4-2M	151515A
alternatives					
Motor cable	length 5 m/16.5 ft.	Type	Part no.	KS4-5M	151515B
Power unit			Part no.	NG20-ED	102767A
Power supply cable (EU)	length 2 m/6.6 ft.	Type	Part no.	KN-C13/EU	833790
alternatives					
Power supply cable (USA)	length 2 m/6.6 ft.	Type	Part no.	KN-C13/US	833791
Power supply cable (UK)	length 2 m/6.6 ft.	Type	Part no.	KN-C13/UK	833792
Power supply cable (China)	length 2.5 m/8.25 ft.	Type	Part no.	KN-C13/CN	832927
Power supply cable (Brazil)	length 1.8 m/5.94 ft.	Type	Part no.	KN-C13/BR	207388

Optional equipment

Spring sleeve cpl.	Part no.	364672A
Spring sleeve cpl., with vacuum connection (in connection with finder, see leaflet: Inserting tools D3320E)	Part no.	364672C
Screwdriver adaption	Part no.	103557A

ComCenter ED

ComCenter ED	Part no.	103196A
---------------------	----------	---------

The ComCenter ED enables easy adjustment of the screwdriving programs as well as documentation of result values via the integrated web-server. It has an Ethernet connection and four USB ports. The ComCenter ED can be connected both via Ethernet and also WLAN to the network. To allow access via WLAN the ComCenter ED can be established as an Access Point via the integrated web interface.

Access to settings, screwdriving programs, results etc. is then also available via smartphone, tablet and other WLAN capable devices. A suitable WLAN stick is included on delivery.

All settings can be carried out easily via the web interface. There is a choice of several languages.

The ComCenter ED is connected between the MINIMAT-ED and power unit.



DEPRAG

DEPRAG SCHULZ GMBH u. CO.

P.O. Box 1352, D-92203 Amberg, Germany
Carl-Schulz-Platz 1, D-92224 Amberg
Phone (+49) 9621 371-0, Fax (+49) 9621 371-120
www.deprag.com
info@deprag.de



CERTIFIED AS PER DIN EN ISO 9001
