



Screwdriving technology

Automation

Air motors

Air tools

DEPRAG

Feeding Technology

Tape-on-Reel Feeder

for the transport of adhesive components supplied on reels

- position-accurate delivery
- robust and reliable
- user-friendly functionality
- simple start-up

The DEPRAG Tape-on-Reel Feeder is specifically designed for the process-reliable and position-accurate delivery of adhesive components, which are supplied on reel tapes. Electric components can be removed from a reel by the peel-off carriage and positioned accurately.

This easy to access system can be integrated directly into your assembly machine.

Adhesive components that are supplied on a reel, can be transported – position-accurate and process-reliable – by the DEPRAG Tape-on-Reel feeder.



APPLICATION

This type of feeding system enables the assembly automation of both single-sided and double-sided adhesive components, which are frequently used as a sealant.

FUNCTION

Tape-on-Reel feeders are loaded with a reel which is placed onto a reel-reception that is equipped with a brake.

The peel-off carriage pulls the reel tape forward, until the next component is in the pick-up position.

As soon as a sensor has indicated that a component is at the pick-up position, down-holder moves down and locks-down the tape.

After the part-handling (such as a vacuum gripper) signals ready, the slide moves back to expose the cutter-edge and the reel-tape is rolled up by a wrapping-device. The component is loosened from the reel-tape and is ready to be processed by your part-handling feature.

After the part-handler leaves the pick-up position with a component, the down-holder lifts up, the slide moves forward and the peel-off carriage pulls the tape ahead until the next component arrives at the pick-up position.

ADVANTAGES

- **Position-accurate delivery**

By using a combination of highly precise sensors and a rapid tape-locking device, our tape-on-reel feeders can achieve the position-accurate delivery of components with a repeatability.

- **Robust and reliable**

The use of resistant materials during the manufacturing of our Tape-on-Reel feeders assures a consistent high quality, extended up-time and efficiency of those feeders when used in an industrial mass-production environment.

- **User-friendly functionality**

The simple adjustment of the detach-position in height and X-axis, the quick unlock-feature of the roller-drives, a tape presence control, as well as the easy

access to all important components, are key features of the DEPRAG tape-on-reel feeders. These features allow the simple and quick integration of these devices into any system. When using this feeding system in connection with a single- or multi-axis DEPRAG DCAM = DEPRAG compact assembly module, an extremely efficient and compactly designed turnkey system emerges for the placement of components.

- **Solutions tailored to customer specific requirements**

If you wish to integrate a tape-on-reel feed-system directly into your assembly machine and if restrictive space conditions have to be considered, then we will adapt our standard devices to fit your installation conditions.

You profit from our unique know-how and moreover, you receive a mature and fully-tested feeding system at an especially attractive price-to-performance ratio.

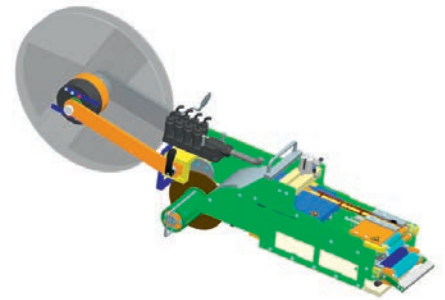
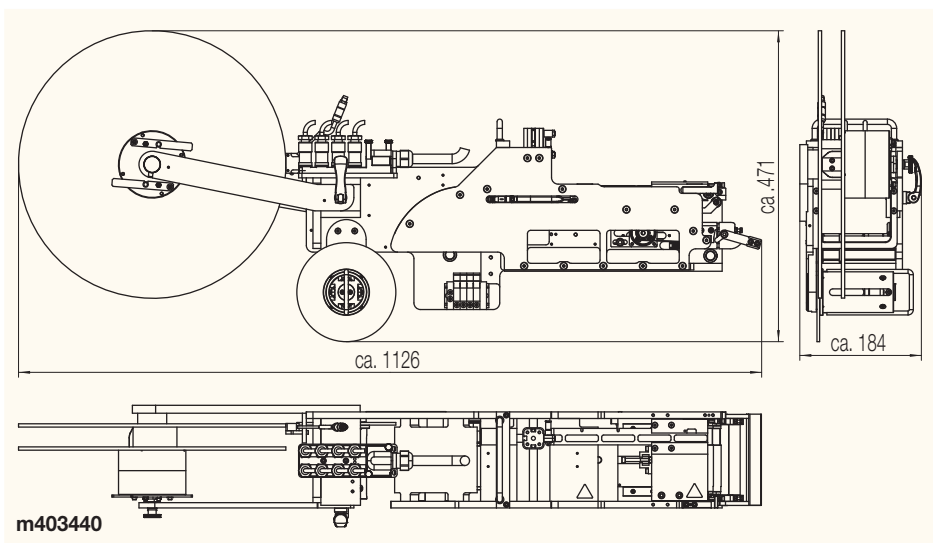
When ordering a customer-specific device, you will naturally receive the necessary 3D-data to facilitate an easy integration into your system.

- **Simplified start-up**

Prior to delivery of your tape-on-reel feeder, we carry out an endurance test that simulates your workflow during series production. Each device is delivered with comprehensive documentation that clearly indicates the start-up procedure and operation of the tape-on-reel device.

TECHNICAL DATA

Type		0111-P-2xx	Comments
Band width	mm / in.	18 – 80 * / 0.7 – 3.1	*) Individual adjustment to a defined band width
- special design is available for		10 – 100 * / 0.39 – 3.9	
Max. Tape width ϕ	mm / in.	400 / 15.6	
Core diameter	mm / in.	76 / 2.96	
Feed rate	mm/s	approx. 20	
Pull-off length	mm / in.	min. 18; max. 75	
Repeatability	mm / in.	± 0.3	
Operating voltage (DC)	V	24	Plus time needed for pull-off-/pick-up, length of adhesive + gap Plus internal band tolerances
Max. power consumption	VA	30	
Operating pressure (bar)		6.3	
Air connection I.D.	mm / in.	6 / ¼	
Dimensions L x W x H	mm / in.	1130x180x500 / 44x7x19.5	
Weight	kg / lbs	20 / 44	



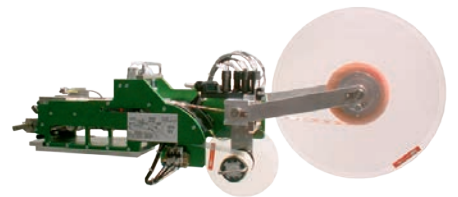
ACCESSORIES

Designation	Description
Splicer	Pick-and-Place mechanism (adjusted to the customer-specific band), simplifies changing of reel

CUSTOMER-SPECIFIC SOLUTION

Naturally, we can build a customer-specific device if your reel dimensions are different from the ones shown in this catalog.

Please do not hesitate to contact us!



DEPRAG

DEPRAG SCHULZ GMBH u. CO.

P.O. Box 1352, D-92203 Amberg, Germany
Carl-Schulz-Platz 1, D-92224 Amberg
Phone (+49) 9621 371-0, Fax (+49) 9621 371-120
www.deprag.com
info@deprag.de



CERTIFIED AS PER DIN EN ISO 9001
