

BASIC LINE

Air Motors from 200 W to 1.2 kW

The great value air motor with robust cast iron housing for use in normal production environments.

Low maintenance:

Our patented vane exchange system allows replacement of vanes without disassembly of the motor. All you need is a screwdriver and tweezers, it can also be performed by non specialised personnel. This motor is much more maintenance friendly than any other of its kind.

The BASIC LINE air motor with its modular design has a particularly attractive price-performance ratio, as well as all the advantages of a modern compact air motor. It has a high performance density and small space requirements, it is robust and is also ATEX approved for use in potentially explosive environments.

All air motors can be operated oil-free, without special measures.

ATEX certified
large speed range

reversible

robust design
patented vane exchange system

Patented Vane Exchange Feature



The motor remains where it is installed.
This feature offers tremendous time savings.



BASIC LINE Air Motors



For which applications are the BASIC LINE air motors suitable?

An air motor with cast iron housing is the right choice for an application with dry surrounding air in normal stationary production. There is a wide spectrum of DEPRAG BASIC LINE vane motors available.

Applications for other applications:

For space saving installation e.g. in an industry robot, there are various grinding, milling and drill motors available which are distinguished by their light weight and compact design. These air motors can be found in our brochure D 6800 E.

When working without lubrication in an environment with aggressive cleaning agents and always when a non-corrosive design is required, we recommend our stainless steel motors. These are found in our brochure D 6400 E.

For special applications, such as e. g. continuous operation (24 hours, non-stop), underwater application and many more, our applications consultants are happy to help.

200 W / 400 W / 600 W / 900 W / 1200 W BASIC LINE Air motors without gear

| Air motor without gear reversible | | Ex II 2 GD c IIC T4 (130°C) | | | | |
|-----------------------------------|---------------------------|----------------------------------|----------------------------------|----------------------------------|----------------------------------|----------------------------------|
| | | 200 W | 400 W | 600 W | 900 W | 1200 W |
| | | Motor size 1 | Motor size 3 | Motor size 5 | Motor size 7 | Motor size 8 |
| Type | | 63X-001F01 | 63X-001F03 | 63X-001F05 | 63X-001F07 | 63X-001F08 |
| Part no. | | 208001A | 208003A | 208005A | 208007A | 208008A |
| Nominal power | W / HP | 200 / 0.27 | 400 / 0.54 | 600 / 0.8 | 900 / 1.2 | 1200 / 1.6 |
| Nominal speed | rpm | 5000 | 5000 | 5000 | 5250 | 5250 |
| Speed (idling) | rpm | 10000 | 10000 | 10000 | 10500 | 10500 |
| Nominal torque | Nm / in.lbs | 0.38 / 3.4 | 0.76 / 7.7 | 1.1 / 9.7 | 1.6 / 14.2 | 2.2 / 19.5 |
| Start torque min. | Nm / in.lbs | 0.57 / 5 | 1.1 / 9.7 | 1.7 / 15 | 2.4 / 21.2 | 3.3 / 29.2 |
| Permissible radial force max. | N / lbs | 145 / 32.5 | 145 / 32.5 | 145 / 32.5 | 145 / 32.5 | 145 / 32.5 |
| Permissible axial force max. | N / lbs | 0 | 0 | 0 | 0 | 0 |
| Air consumption | m ³ /min / cfm | 0.3 / 10.5 | 0.6 / 21 | 0.9 / 32 | 2.2 / 77.7 | 2.6 / 91.8 |
| Weight | kg / lbs | 1 / 2.2 | 1.4 / 3.1 | 1.6 / 3.5 | 3.1 / 6.8 | 3.8 / 8.4 |
| Hose I.D. | mm / in. | 10 / ³ / ₈ | 12 / ¹ / ₂ | 13 / ¹ / ₂ | 16 / ⁵ / ₈ | 16 / ⁵ / ₈ |

Performance data relate to an air pressure of 6 bar (85 PSI) and lubricated air. With oil-free operation the output will be reduced by 10 - 20%.

| Optional Equipment | | Motor size 1 | Motor size 3 | Motor size 5 | Motor size 7 | Motor size 8 |
|--|----------|-------------------------------|-------------------------------|-------------------------------|-------------------------------|-------------------------------|
| Bracket incl. 4 cylinder-screws | Part no. | 440748A | 440748A | 440748A | 440748A | 440748A |
| Silencer set with sinter cone | Part no. | 447010C | 447011C | 447011C | 447013C | 447013C |
| Silencer set with plastic filter | Part no. | 447010A | 447011A | 447011A | 447013A | 447013A |
| Silencer set with exhaust air filter | Part no. | 447010B | 447011B | 447011B | 447013B | 447013B |
| Exhaust air filter | Part no. | 447010E | 447010E | 447010E | 447013E | 447013E |
| Plastic filter (***) | Part no. | 447010D | 447010D | 447010D | 447013D | 447013D |
| Maintenance unit with lubricator* | Part no. | 820454A | 820455A | 821608A | 821608A | 821608A |
| Connection thread | | G ¹ / ₄ | G ¹ / ₂ | G ³ / ₄ | G ³ / ₄ | G ³ / ₄ |
| Maintenance unit without lubricator* | Part no. | 822408A | 822409A | 826982A | 826982A | 826982A |
| Connection thread | | G ¹ / ₄ | G ¹ / ₂ | G ³ / ₄ | G ³ / ₄ | G ³ / ₄ |
| Replacement part set consisting of vanes and sealing paper | Part no. | 444914A | 444915A | 444916A | 444917A | 444918A |

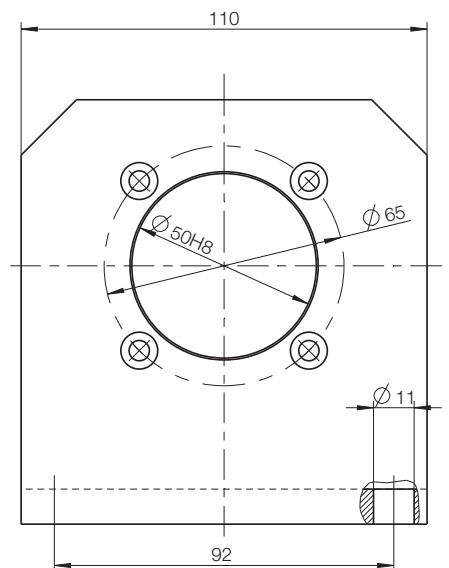
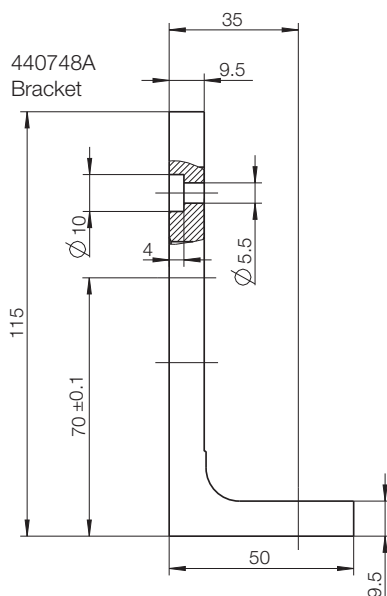
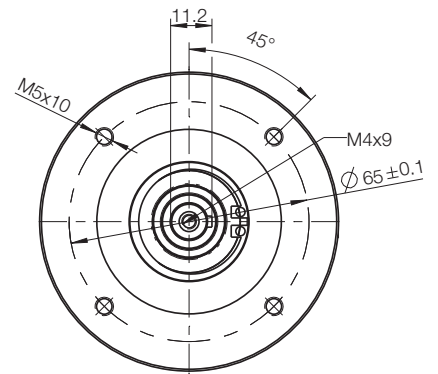
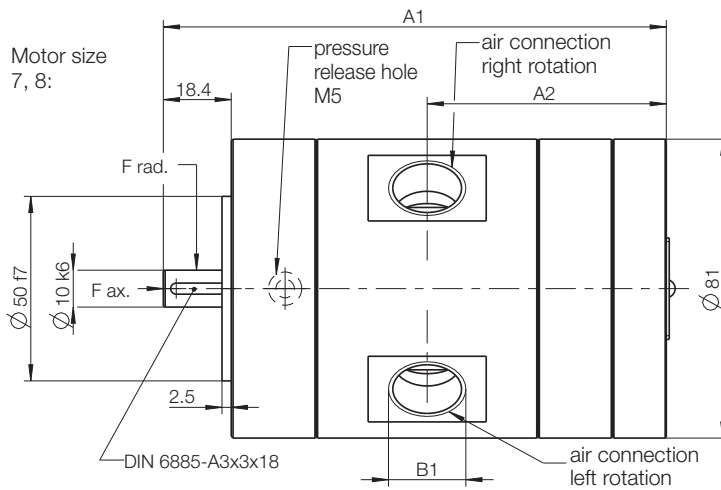
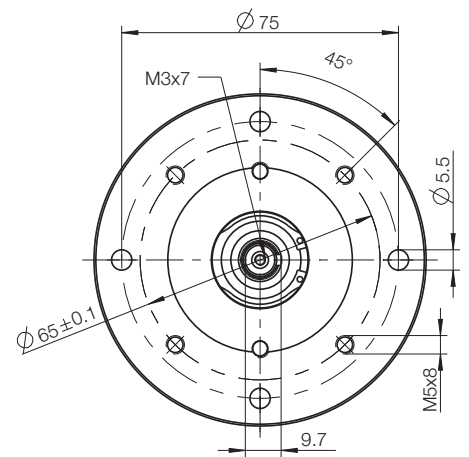
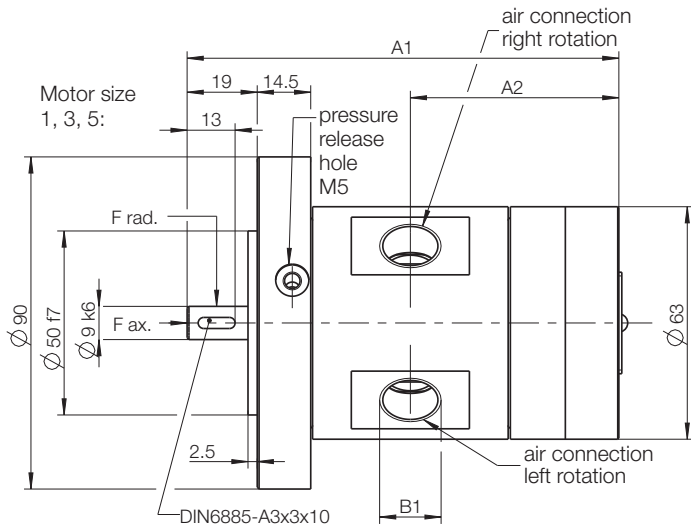
*) Maintenance unit consists of pressure regulator valve, filter and optionally with or without lubricator. Our standard maintenance units are not ATEX conform. Please contact us if this is a requirement.

***) consisting of plastic filter or exhaust filter and silencer for ventilation hole

Remark

Of course you can also purchase individual replacement parts from us.


Further notes for soundproofing see page 8.





p4053792

| Motor size | Type | Dimensions of air motor (mm) | | |
|------------|------------|------------------------------|------|-----|
| | | A1 | A2 | B1 |
| 1 | 63X-001F01 | 82 | 39 | 1/8 |
| 3 | 63X-001F03 | 102 | 49 | 3/8 |
| 5 | 63X-001F05 | 117 | 56.5 | 3/8 |
| 7 | 63X-001F07 | 116.3 | 54.8 | 1/2 |
| 8 | 63X-001F08 | 136.3 | 64.3 | 1/2 |

200 W / 400 W / 600 W BASIC LINE Air motors with gear

| Air motor with gear 200 W reversible | |  | | | | | | | |
|--------------------------------------|---------------------------|--|------------|------------|------------|------------|-------------|-------------|-------------|
| | | Motor size 1 | | | | | | | |
| Type | Part no. | 63X-004F01 | 63X-007F01 | 63X-018F01 | 63X-029F01 | 63X-046F01 | 63X-078F01 | 63X-124F01 | 63X-308F01 |
| Nominal power | W / HP | 200 / 0.27 | 200 / 0.27 | 200 / 0.27 | 200 / 0.27 | 200 / 0.27 | 200 / 0.27 | 200 / 0.27 | 200 / 0.27 |
| Nominal speed | rpm | 1150 | 730 | 270 | 170 | 105 | 60 | 40 | 16 |
| Speed (idling) | rpm | 2300 | 1460 | 540 | 340 | 210 | 120 | 80 | 32 |
| Nominal torque | Nm / in.lbs | 1.6 / 14 | 2.6 / 23 | 7 / 62 | 11.2 / 99 | 18.2 / 161 | 31.8 / 281 | 47.8 / 423 | 80 / 708* |
| Start torque min. | Nm / in.lbs | 2.4 / 21 | 3.9 / 34 | 10.5 / 93 | 16.8 / 149 | 27.3 / 242 | 47.7 / 422 | 71.7 / 634 | 80 / 708* |
| Permissible radial force max. | N / lbs | 240 / 53.8 | 240 / 53.8 | 360 / 80.6 | 360 / 80.6 | 360 / 80.6 | 520 / 116.5 | 520 / 116.5 | 520 / 116.5 |
| Permissible axial force max. | N / lbs | 50 / 11.2 | 50 / 11.2 | 70 / 15.7 | 70 / 15.7 | 70 / 15.7 | 120 / 26.9 | 120 / 26.9 | 120 / 26.9 |
| Air consumption | m ³ /min / cfm | 0.3 / 10 | 0.3 / 10 | 0.3 / 10 | 0.3 / 10 | 0.3 / 10 | 0.3 / 10 | 0.3 / 10 | 0.3 / 10 |
| Weight | kg / lbs | 2.4 / 5.3 | 2.4 / 5.3 | 2.8 / 6.2 | 2.8 / 6.2 | 2.8 / 6.2 | 3.2 / 7 | 3.2 / 7 | 3.2 / 7 |
| Hose I.D. | mm / in. | 10 / 3/8 | 10 / 3/8 | 10 / 3/8 | 10 / 3/8 | 10 / 3/8 | 10 / 3/8 | 10 / 3/8 | 10 / 3/8 |

| Air motor with gear 400 W reversible | |  | | | | | | | |
|--------------------------------------|---------------------------|--|------------|------------|------------|------------|-------------|-------------|------------|
| | | Motor size 3 | | | | | | | |
| Type | Part no. | 63X-004F03 | 63X-007F03 | 63X-018F03 | 63X-029F03 | 63X-046F03 | 63X-078F03 | 63X-124F03 | |
| Nominal power | W / HP | 400 / 0.54 | 400 / 0.54 | 400 / 0.54 | 400 / 0.54 | 400 / 0.54 | 400 / 0.54 | 400 / 0.54 | 400 / 0.54 |
| Nominal speed | rpm | 1150 | 730 | 270 | 170 | 105 | 60 | 40 | |
| Speed (idling) | rpm | 2300 | 1460 | 540 | 340 | 210 | 120 | 80 | |
| Nominal torque | Nm / in.lbs | 3.2 / 28 | 5.2 / 46 | 14 / 124 | 22.4 / 198 | 36.4 / 322 | 63.6 / 563 | 80 / 708* | |
| Start torque min. | Nm / in.lbs | 4.8 / 42 | 7.8 / 69 | 21 / 186 | 33.6 / 297 | 54.6 / 483 | 80 / 708* | 80 / 708* | |
| Permissible radial force max. | N / lbs | 240 / 53.8 | 240 / 53.8 | 360 / 80.6 | 360 / 80.6 | 360 / 80.6 | 520 / 116.5 | 520 / 116.5 | |
| Permissible axial force max. | N / lbs | 50 / 11.2 | 50 / 11.2 | 70 / 15.7 | 70 / 15.7 | 70 / 15.7 | 120 / 26.9 | 120 / 26.9 | |
| Air consumption | m ³ /min / cfm | 0.6 / 21 | 0.6 / 21 | 0.6 / 21 | 0.6 / 21 | 0.6 / 21 | 0.6 / 21 | 0.6 / 21 | |
| Weight | kg / lbs | 2.8 / 6.2 | 2.8 / 6.2 | 3.2 / 7 | 3.2 / 7 | 3.2 / 7 | 3.6 / 7.9 | 3.6 / 7.9 | |
| Hose I.D. | mm / in. | 12 / 1/2 | 12 / 1/2 | 12 / 1/2 | 12 / 1/2 | 12 / 1/2 | 12 / 1/2 | 12 / 1/2 | |

| Air motor with gear 600 W reversible | |  | | | | | | | |
|--------------------------------------|---------------------------|--|------------|------------|------------|------------|-------------|--|--|
| | | Motor size 5 | | | | | | | |
| Type | Part no. | 63X-004F05 | 63X-007F05 | 63X-018F05 | 63X-029F05 | 63X-046F05 | 63X-078F05 | | |
| Nominal power | W / HP | 600 / 0.8 | 600 / 0.8 | 600 / 0.8 | 600 / 0.8 | 600 / 0.8 | 600 / 0.8 | | |
| Nominal speed | rpm | 1150 | 730 | 270 | 170 | 105 | 60 | | |
| Speed (idling) | rpm | 2300 | 1460 | 540 | 340 | 210 | 120 | | |
| Nominal torque | Nm / in.lbs | 5 / 44 | 7.8 / 69 | 21 / 186 | 33.6 / 297 | 54.5 / 482 | 80 / 708* | | |
| Start torque min. | Nm / in.lbs | 7.5 / 66 | 11.7 / 103 | 31.5 / 279 | 50.4 / 446 | 80 / 708* | 80 / 708* | | |
| Permissible radial force max. | N / lbs | 240 / 53.8 | 240 / 53.8 | 360 / 80.6 | 360 / 80.6 | 360 / 80.6 | 520 / 116.5 | | |
| Permissible axial force max. | N / lbs | 50 / 11.2 | 50 / 11.2 | 70 / 15.7 | 70 / 15.7 | 70 / 15.7 | 120 / 26.9 | | |
| Air consumption | m ³ /min / cfm | 0.9 / 32 | 0.9 / 32 | 0.9 / 32 | 0.9 / 32 | 0.9 / 32 | 0.9 / 32 | | |
| Weight | kg / lbs | 3 / 6.6 | 3 / 6.6 | 3.4 / 7.5 | 3.4 / 7.5 | 3.4 / 7.5 | 3.8 / 8.4 | | |
| Hose I.D. | mm / in. | 13 / 1/2 | 13 / 1/2 | 13 / 1/2 | 13 / 1/2 | 13 / 1/2 | 13 / 1/2 | | |

Performance data relate to an air pressure of 6 bar (85 PSI) and lubricated air. With oil-free operation the output will be reduced by 10 - 20%.

*) max. admissible torque

| Optional Equipment | | Motor size 1 | Motor size 3 | Motor size 5 |
|--|----------|--------------|--------------|--------------|
| Bracket incl. 4 cylinder-screws | Part no. | 440748B | 440748B | 440748B |
| Flange as per IEC80 B5** | Part no. | 446358B | 446358B | 446358B |
| Flange as per IEC80 B14** | Part no. | 446358A | 446358A | 446358A |
| Silencer set with sinter cone | Part no. | 447010C | 447011C | 447011C |
| Silencer set with plastic filter | Part no. | 447010A | 447011A | 447011A |
| Silencer set with exhaust air filter | Part no. | 447010B | 447011B | 447011B |
| Exhaust air filter | Part no. | 447010E | 447010E | 447010E |
| Plastic filter (***) | Part no. | 447010D | 447010D | 447010D |
| Maintenance unit with lubricator* | Part no. | 820454A | 820455A | 821608A |
| Connection thread | | G 1/4 | G 1/2 | G 3/4 |
| Maintenance unit without lubricator* | Part no. | 822408A | 822409A | 826982A |
| Connection thread | | G 1/4 | G 1/2 | G 3/4 |
| Replacement part set consisting of vanes and sealing paper | Part no. | 444914A | 444915A | 444916A |

*) Maintenance unit consists of pressure regulator valve, filter and optionally with or without lubricator. Our standard maintenance units are not ATEX conform. Please contact us if this is a requirement.

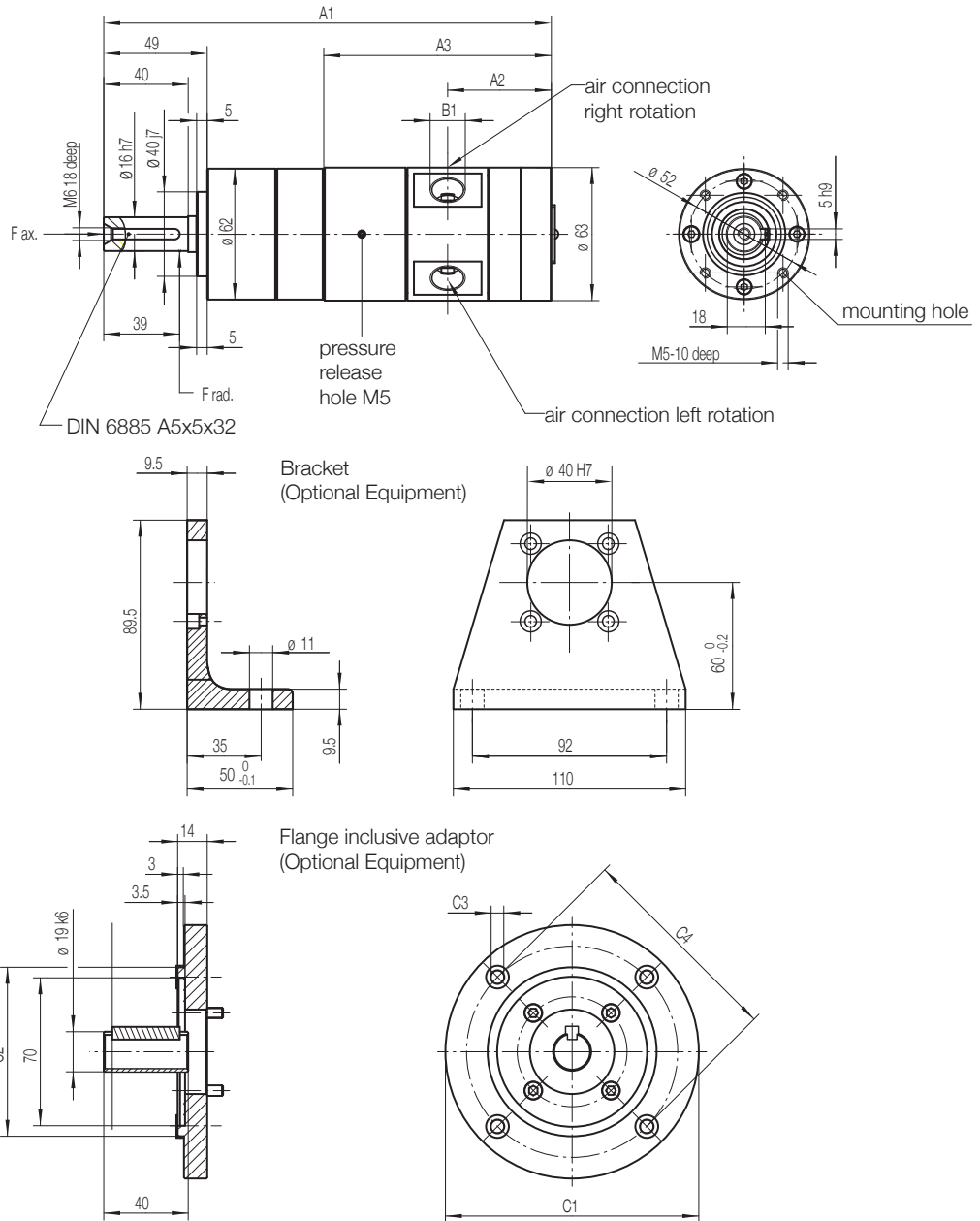
**) Flange inclusive cylinder-screws and adaptor

***) consisting of plastic filter or exhaust filter and silencer for ventilation hole

Remark

Of course you can also purchase individual replacement parts from us.

Further notes for soundproofing see page 8.




p405741

| Motor size | Type | | | Dimensions of air motor (mm) | | | |
|------------|------------|------------|------------|------------------------------|------|-------|-------|
| | | | | A1 | A2 | A3 | B1 |
| 1 | 63X-004F01 | 63X-007F01 | | 192.3 | | | |
| | 63X-018F01 | 63X-029F01 | 63X-046F01 | 208.3 | 39.1 | 87.8 | G 1/8 |
| | 63X-078F01 | 63X-124F01 | 63X-308F01 | 223.8 | | | |
| 3 | 63X-004F03 | 63X-007F03 | | 212.3 | | | |
| | 63X-018F03 | 63X-029F03 | 63X-046F03 | 228.3 | 49.1 | 107.8 | G 3/8 |
| | 63X-078F03 | 63X-124F03 | | 243.8 | | | |
| 5 | 63X-004F05 | 63X-007F05 | | 227.3 | | | |
| | 63X-018F05 | 63X-029F05 | 63X-046F05 | 243.3 | 56.6 | 122.8 | G 3/8 |
| | 63X-078F05 | | | 258.8 | | | |


| Motor size | Flange Type | Dimensions of flange (mm) | | | |
|------------|------------------------------|---------------------------|-------|----|-----|
| | | C1 | C2 | C3 | C4 |
| 1 / 3 / 5 | IEC80 B5 (Part no. 446358B) | 200 | 130f7 | 11 | 165 |
| | IEC80 B14 (Part no. 446358A) | 120 | 80f7 | M6 | 100 |

900 W / 1200 W BASIC LINE Air motors with gear

| Air motor with gear 900 W reversible | |  II 2 GD c IIC T4 (130°C) | | | | | | | |
|--------------------------------------|---------------------------|--|----------------------------------|----------------------------------|----------------------------------|----------------------------------|----------------------------------|----------------------------------|----------------------------------|
| | | Motor size 7 | | | | | | | |
| Type | Part no. | 63X-004F07 | 63X-007F07 | 63X-018F07 | 63X-029F07 | 63X-046F07 | 63X-078F07 | 63X-124F07 | 63X-308F07 |
| Nominal power | W / HP | 900 / 1.2 | 900 / 1.2 | 900 / 1.2 | 900 / 1.2 | 900 / 1.2 | 900 / 1.2 | 900 / 1.2 | 900 / 1.2 |
| Nominal speed | rpm | 1225 | 780 | 290 | 180 | 115 | 67 | 45 | 20 |
| Speed (idling) | rpm | 2450 | 1560 | 580 | 360 | 230 | 134 | 90 | 40 |
| Nominal torque | Nm / in.lbs | 7 / 62 | 11 / 97.4 | 30 / 265.5 | 47 / 416 | 75 / 663.8 | 120/1062*) | 120/1062*) | 120/1062*) |
| Start torque min. | Nm / in.lbs | 10.5 / 92.9 | 16.5 / 146 | 45 / 398.3 | 71 / 628.4 | 112 / 991.2 | 120/1062*) | 120/1062*) | 120/1062*) |
| Permissible radial force max. | N / lbs | 400 / 89.6 | 400 / 89.6 | 600 / 134.4 | 600 / 134.4 | 600 / 134.4 | 1000 / 224 | 1000 / 224 | 1000 / 224 |
| Permissible axial force max. | N / lbs | 80 / 17.9 | 80 / 17.9 | 120 / 26.9 | 120 / 26.9 | 120 / 26.9 | 200 / 44.8 | 200 / 44.8 | 200 / 44.8 |
| Air consumption | m ³ /min / cfm | 2.2 / 77.7 | 2.2 / 77.7 | 2.2 / 77.7 | 2.2 / 77.7 | 2.2 / 77.7 | 2.2 / 77.7 | 2.2 / 77.7 | 2.2 / 77.7 |
| Weight | kg / lbs | 4.9 / 10.8 | 4.9 / 10.8 | 5.6 / 12.3 | 5.6 / 12.3 | 5.6 / 12.3 | 6.3 / 13.9 | 6.3 / 13.9 | 6.3 / 13.9 |
| Hose I.D. | mm / in. | 16 / ⁵ / ₈ | 16 / ⁵ / ₈ | 16 / ⁵ / ₈ | 16 / ⁵ / ₈ | 16 / ⁵ / ₈ | 16 / ⁵ / ₈ | 16 / ⁵ / ₈ | 16 / ⁵ / ₈ |

Performance data relate to an air pressure of 6 bar (85 PSI) and lubricated air. With oil-free operation the output will be reduced by 10 - 20%.

*) max. admissible torque

| Air motor with gear 1200 W reversible | |  II 2 GD c IIC T4 (130°C) | | | | | | | |
|---------------------------------------|---------------------------|--|----------------------------------|----------------------------------|----------------------------------|----------------------------------|--|--|--|
| | | Motor size 8 | | | | | | | |
| Type | Part no. | 63X-004F08 | 63X-007F08 | 63X-018F08 | 63X-029F08 | 63X-046F08 | | | |
| Nominal power | W / HP | 1200 / 1.6 | 1200 / 1.6 | 1200 / 1.6 | 1200 / 1.6 | 1200 / 1.6 | | | |
| Nominal speed | rpm | 1225 | 780 | 290 | 180 | 115 | | | |
| Speed (idling) | rpm | 2450 | 1560 | 580 | 360 | 230 | | | |
| Nominal torque | Nm / in.lbs | 9.4 / 83.2 | 14.7 / 130.1 | 40 / 354 | 63 / 557.6 | 100 / 885 | | | |
| Start torque min. | Nm / in.lbs | 14 / 123.9 | 22 / 194.7 | 60 / 531 | 94 / 831.9 | 120/1062*) | | | |
| Permissible radial force max. | N / lbs | 400 / 89.6 | 400 / 89.6 | 600 / 134.4 | 600 / 134.4 | 600 / 134.4 | | | |
| Permissible axial force max. | N / lbs | 80 / 17.9 | 80 / 17.9 | 120 / 26.9 | 120 / 26.9 | 120 / 26.9 | | | |
| Air consumption | m ³ /min / cfm | 2.6 / 91.8 | 2.6 / 91.8 | 2.6 / 91.8 | 2.6 / 91.8 | 2.6 / 91.8 | | | |
| Weight | kg / lbs | 5.6 / 12.3 | 5.6 / 12.3 | 6.3 / 13.9 | 6.3 / 13.9 | 6.3 / 13.9 | | | |
| Hose I.D. | mm / in. | 16 / ⁵ / ₈ | 16 / ⁵ / ₈ | 16 / ⁵ / ₈ | 16 / ⁵ / ₈ | 16 / ⁵ / ₈ | | | |

Performance data relate to an air pressure of 6 bar (85 PSI) and lubricated air. With oil-free operation the output will be reduced by 10 - 20%.

*) max. admissible torque

| Optional Equipment | | Motor size 7 | Motor size 8 |
|--|----------|-------------------------------|-------------------------------|
| Bracket incl. 4 cylinder-screws | Part no. | 440748C | 440748C |
| Flange as per IEC80 B5** | Part no. | 446358E | 446358E |
| Flange as per IEC80 B14** | Part no. | 446358D | 446358D |
| Silencer set with sinter cone | Part no. | 447013C | 447013C |
| Silencer set with plastic filter | Part no. | 447013A | 447013A |
| Silencer set with exhaust air filter | Part no. | 447013B | 447013B |
| Exhaust air filter | Part no. | 447013E | 447013E |
| Plastic filter (***) | Part no. | 447013D | 447013D |
| Maintenance unit with lubricator* | Part no. | 821608A | 821608A |
| Connection thread | | G ³ / ₄ | G ³ / ₄ |
| Maintenance unit without lubricator* | Part no. | 826982A | 826982A |
| Connection thread | | G ³ / ₄ | G ³ / ₄ |
| Replacement part set consisting of vanes and sealing paper | Part no. | 444917A | 444918A |

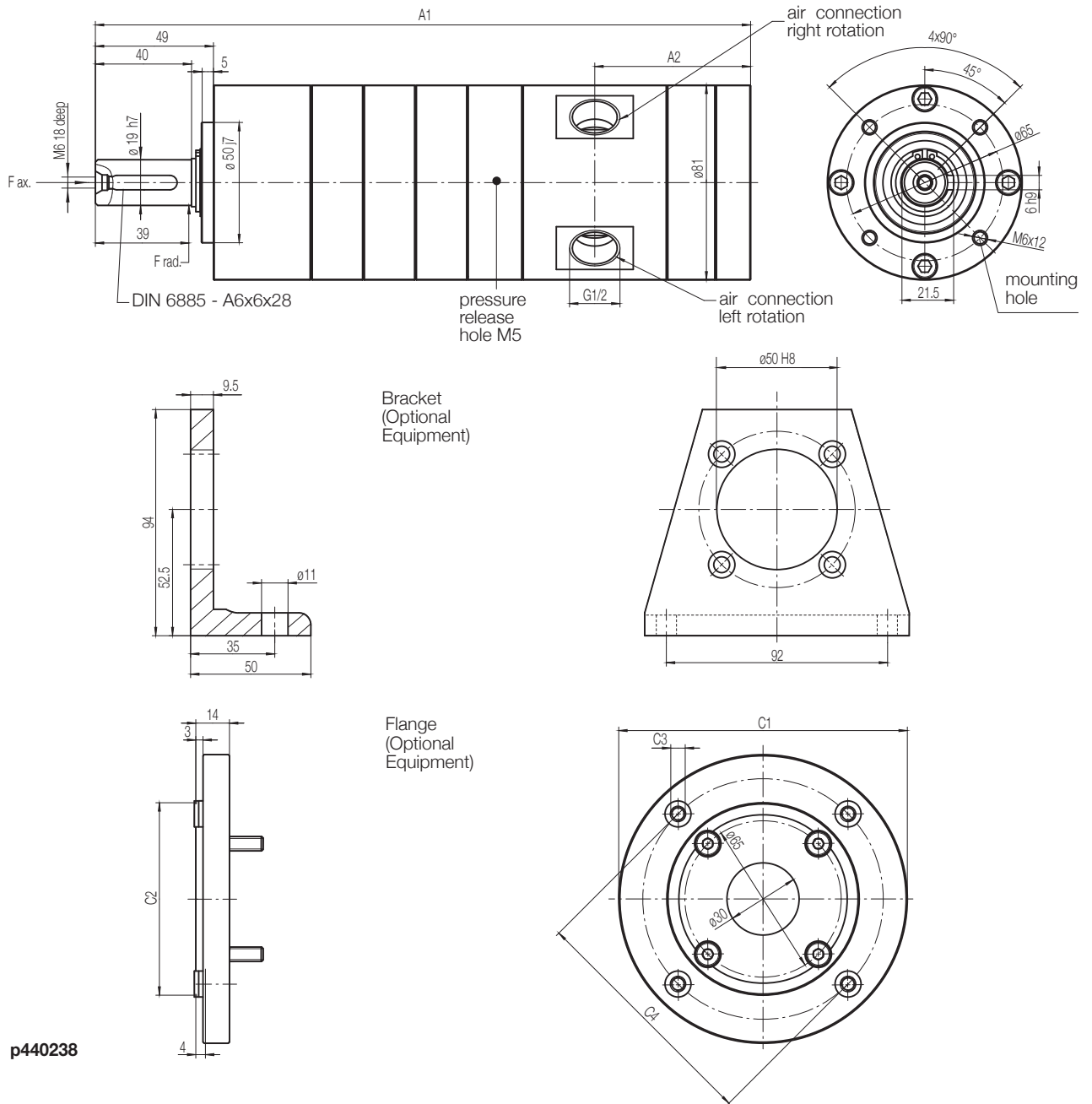
*) Maintenance unit consists of pressure regulator valve, filter and optionally with or without lubricator. Our standard maintenance units are not ATEX conform. Please contact us if this is a requirement.

**) Flange inclusive cylinder-screws

***) consisting of plastic filter or exhaust filter and silencer for ventilation hole

| | | |
|---------------|---|---|
| Remark | Of course you can also purchase individual replacement parts from us. | Further notes for soundproofing see page 8. |
|---------------|---|---|

Air motor with gear



| Motor size | Type | | | Dimensions of air motor (mm) | |
|------------|------------|------------|------------|------------------------------|------|
| | | | | A1 | A2 |
| 7 | 63X-004F07 | 63X-007F07 | | 209.2 | 54.8 |
| | 63X-018F07 | 63X-029F07 | 63X-046F07 | 230.8 | |
| | 63X-078F07 | 63X-124F07 | 63X-308F07 | 252.5 | |
| 8 | 63X-004F08 | 63X-007F08 | | 229.2 | 64.8 |
| | 63X-018F08 | 63X-029F08 | 63X-046F08 | 250.8 | |

| Motor size | Flange Type | Dimensions of flange (mm) | | | |
|------------|------------------------------|---------------------------|-------|----|-----|
| | | C1 | C2 | C3 | C4 |
| 7 / 8 | IEC80 B5 (Part no. 446358E) | 200 | 130f7 | 11 | 165 |
| | IEC80 B14 (Part no. 446358D) | 120 | 80f7 | M6 | 100 |

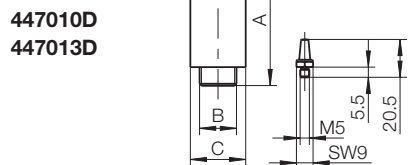
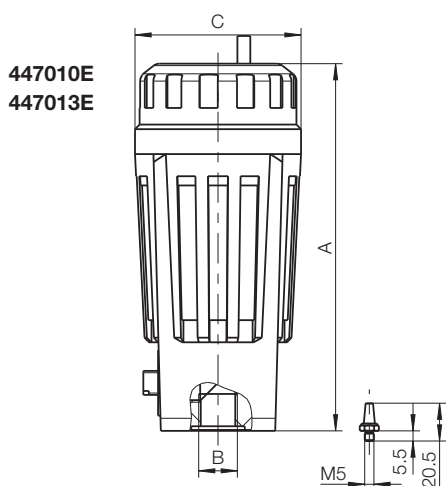
Silencer

| Suitable for motor | | Direction of rotation ^{*)} | Motor size 1 | Motor size 2 | Motor size 3 | Motor size 7 | Motor size 8 |
|----------------------------------|-------------------|-------------------------------------|--------------|--------------|--------------|--------------|--------------|
| Without silencer | Noise level dB(A) | | 109.1 | 110.3 | 109.6 | 117.3 | 114.6 |
| Silencer set with sinter cone | Part no. | U/R/L | 447010C | 447011C | 447011C | 447013C | 447013C |
| | Noise level dB(A) | | 93.8 | 108.9 | 106.9 | 112.1 | 108.2 |
| Silencer set with plastic filter | Part no. | R/L | 447010A | 447011A | 447011A | 447013A | 447013A |
| | Part no. | U | 447010D | 447010D | 447010D | 447013D | 447013D |
| | Noise level dB(A) | | 72.8 | 85.2 | 86.4 | 93.8 | 92.8 |
| Silencer set with exhaust filter | Part no. | R/L | 447010B | 447011B | 447011B | 447013B | 447013B |
| | Part no. | U | 447010E | 447010E | 447010E | 447013E | 447013E |
| | Noise level dB(A) | | 71 | 77.2 | 76.1 | 94.1 | 88.3 |

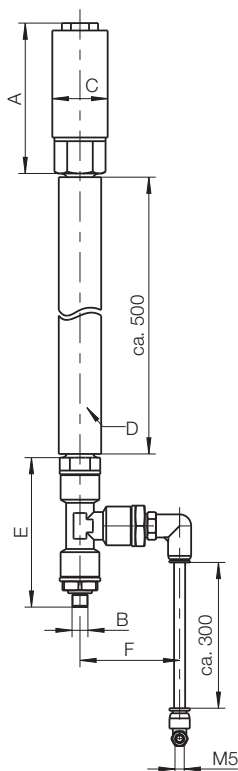
^{*)} U: motor is reversible

R/L: motor operates in one direction (right or left rotation)

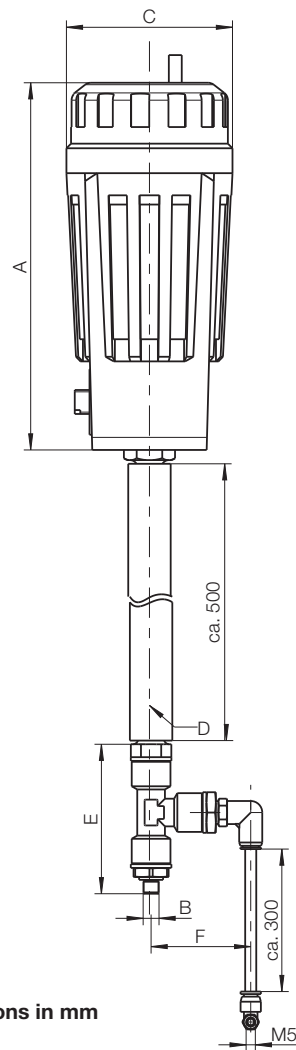
^{**)} consisting of plastic filter or exhaust filter and silencer for ventilation hole



447010A
447011A
447013A



447010B
447011B
447013B



| Silencer | A | B | C | D | E | F |
|-----------|----------|-----------|--------|------|-----|------|
| 447010D/E | 72/199 | G1/2 | 30/90 | - | - | - |
| 447013D/E | 138/285 | G3/4 / G1 | 38/110 | - | - | - |
| 447010A/B | 81.5/199 | G1/8 | 30/90 | 13x4 | 81 | 54 |
| 447011A/B | | G3/8 | | | | |
| 447013A/B | 175/285 | G1/2 | 38/110 | 16x5 | 106 | 65.5 |

Dimensions in mm
p111592

DEPRAG

DEPRAG SCHULZ GMBH u. CO.

P.O. Box 1352, D-92203 Amberg, Germany
Carl-Schulz-Platz 1, D-92224 Amberg
Phone (+49) 9621 371-0, Fax (+49) 9621 371-120
www.deprag.com
info@deprag.de



CERTIFIED AS PER DIN EN ISO 9001