

# DEPRAG

## Air vane motors for special applications

**drilling motors** 80 - 600 W  
**milling motor** 400 W  
**grinding motors** 150 - 1000 W

- **robust and precise bearing**
- **high running accuracy**
- **high precision drill chucks and collets**

High performance drive for installation in robots and machines.

For example their slim design allows the smallest of drill spacings when applying a multi-spindle technique, such as for the construction of windows.

The robust steel housing guarantees high precision and operational safety.

All air motors can also be used without lubrication.



## 80 W drilling motors with collet / 170 W drilling motors with collet or drill chuck

Motor size 1		right rotation					
Series 104- with collet	Type	104-010-1	104-110-1	104-210-1	104-310-1		
	Part no.	302929A	302929B	302929C	302929D		
Nominal-Power	W / HP	80 / 0.11	80 / 0.11	80 / 0.11	80 / 0.11		
Nominal-Speed	rpm	11000	3000	950	650		
Speed (idling)	rpm	22000	6000	1900	1300		
Nominal-Torque	Nm / in.lbs	0.06 / 0.5	0.22 / 1.9	0.8 / 7	1.2 / 11		
Start-Torque min.	Nm / in.lbs	0.09 / 0.8	0.33 / 2.9	1.2 / 11	1.8 / 16		
Air consumption	m <sup>3</sup> /min / cfm	0.23 / 8	0.23 / 8	0.23 / 8	0.23 / 8		
Length L	mm / in.	96.5 / 3.76	96.5 / 3.76	105.5 / 4.11	105.5 / 4.11		
Weight	kg / lbs	0.2 / 0.4	0.2 / 0.4	0.22 / 0.5	0.22 / 0.5		
Hose I.D.	mm / in.	4 / <sup>5</sup> / <sub>32</sub>	4 / <sup>5</sup> / <sub>32</sub>	4 / <sup>5</sup> / <sub>32</sub>	4 / <sup>5</sup> / <sub>32</sub>		
for drilling steel up to	Ø mm / in.	–	3 / <sup>1</sup> / <sub>8</sub>	3 / <sup>1</sup> / <sub>8</sub>	3 / <sup>1</sup> / <sub>8</sub>		
for drilling aluminium up to	Ø mm / in.	3 / <sup>1</sup> / <sub>8</sub>	3 / <sup>1</sup> / <sub>8</sub>	3 / <sup>1</sup> / <sub>8</sub>	3 / <sup>1</sup> / <sub>8</sub>		

Performance data relate to an air pressure of 6 bar (85 PSI) and lubricated air. With oil-free operation the output will be reduced by 10 - 20%.

Motor housing made from stainless steel.  
Spindle and collet regular steel.

Motor size 2		right rotation					
Series 104- with collet	Type	104-020-1	104-120-1	104-220-1	104-320-1	104-420-1	104-520-1
	Part no.	302916A	302916B	302916C	302916D	302916E	302916F
Series 104- for drill chuck	Type	–	104-120	104-220	104-320	104-420	104-520
	Part no.	–	302912B	302912C	302912D	302912E	302912F
Nominal-Power	W / HP	170 / 0.23	170 / 0.23	170 / 0.23	170 / 0.23	170 / 0.23	170 / 0.23
Nominal-Speed	rpm	12000	3000	2000	750	500	330
Speed (idling)	rpm	24000	6000	4000	1500	1000	660
Nominal-Torque	Nm / in.lbs	0.13 / 1.1	0.5 / 4.4	0.8 / 7	2.1 / 18	3.2 / 28	4.9 / 43
Start-Torque min.	Nm / in.lbs	0.19 / 1.7	0.8 / 7	1.2 / 10	3.2 / 28	4.8 / 42	5 / 44*)
Air consumption	m <sup>3</sup> /min / cfm	0.3 / 11	0.3 / 11	0.3 / 11	0.3 / 11	0.3 / 11	0.3 / 11
Weight	kg / lbs	0.38 / 0.84	0.38 / 0.84	0.38 / 0.84	0.43 / 0.95	0.43 / 0.95	0.43 / 0.95
Hose I.D.	mm / in.	6 / <sup>1</sup> / <sub>4</sub>	6 / <sup>1</sup> / <sub>4</sub>	6 / <sup>1</sup> / <sub>4</sub>	6 / <sup>1</sup> / <sub>4</sub>	6 / <sup>1</sup> / <sub>4</sub>	6 / <sup>1</sup> / <sub>4</sub>
for drilling steel up to	Ø mm / in.	–	3 / <sup>1</sup> / <sub>8</sub>	4 / <sup>5</sup> / <sub>32</sub>	4 / <sup>5</sup> / <sub>32</sub>	4 / <sup>5</sup> / <sub>32</sub>	4 / <sup>5</sup> / <sub>32</sub>
for drilling aluminium up to	Ø mm / in.	4 / <sup>5</sup> / <sub>32</sub>	5 / <sup>13</sup> / <sub>64</sub>	6 / <sup>15</sup> / <sub>64</sub>	6 / <sup>15</sup> / <sub>64</sub>	6 / <sup>15</sup> / <sub>64</sub>	6 / <sup>15</sup> / <sub>64</sub>

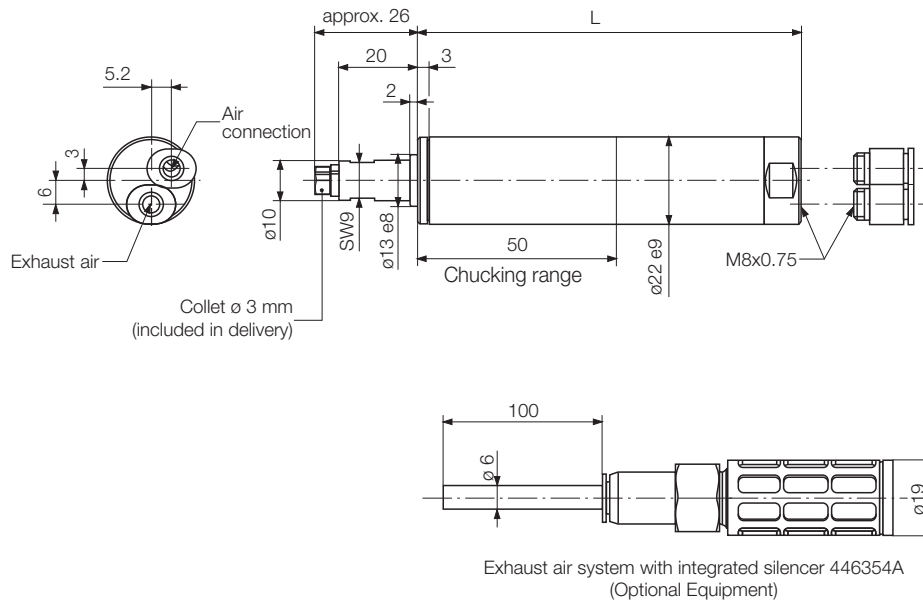
Performance data relate to an air pressure of 6 bar (85 PSI) and lubricated air. With oil-free operation the output will be reduced by 10 - 20%.

\*) max admissible torque  
External parts regular steel.

Optional Equipment		for Motor size 1	for Motor size 2
<b>Collet</b>	Ø 2 mm	Part no. 314693	312679
	Ø 3 mm	Part no. (included in delivery)	312681
	Ø 4 mm	Part no. 3024741	312684
	Ø 5 mm	Part no. –	312686
	Ø 6 mm	Part no. –	included in delivery
	Ø 3/32" (2.35 mm)	Part no. 314694	313742
	Ø 1/8" (3.175 mm)	Part no. 314407	312682
	Ø 1/4" (6.35 mm)	Part no. –	312689
<b>Gear rim drill chuck</b>			
Range 0.5 - 6.5 mm / B 10	Part no. –	804655	
<b>Quick change chuck</b>			
Range 0 - 6.5 mm / B 10 (not suitable for type 104-020-1)	Part no. –	805986	
2 Slide connectors (M8 x 0.75)		included in delivery	–
Noise level at standard version		95 dB (A)	73 dB (A)
with exhaust air system and exhaust filter		71 dB (A)	74 dB (A)
<b>Exhaust air system</b>	Part no. 446354A	302923A	
<b>Exhaust filter</b>	Part no. integrated in exhaust air system	811091	
<b>Maintenance unit with lubricator*</b>	Part no. 820454A	820454A	
Connection thread	G <sup>1</sup> / <sub>4</sub>	G <sup>1</sup> / <sub>4</sub>	
<b>Maintenance unit without lubricator*</b>	Part no. 822408A	822408A	
Connection thread	G <sup>1</sup> / <sub>4</sub>	G <sup>1</sup> / <sub>4</sub>	
<b>Replacement part set</b> consisting of vanes, sealant rings, o-rings and silencers	Part no. 446085B	446086B	

\*) Maintenance unit consists of pressure regulator valve, filter and optionally with or without lubricator

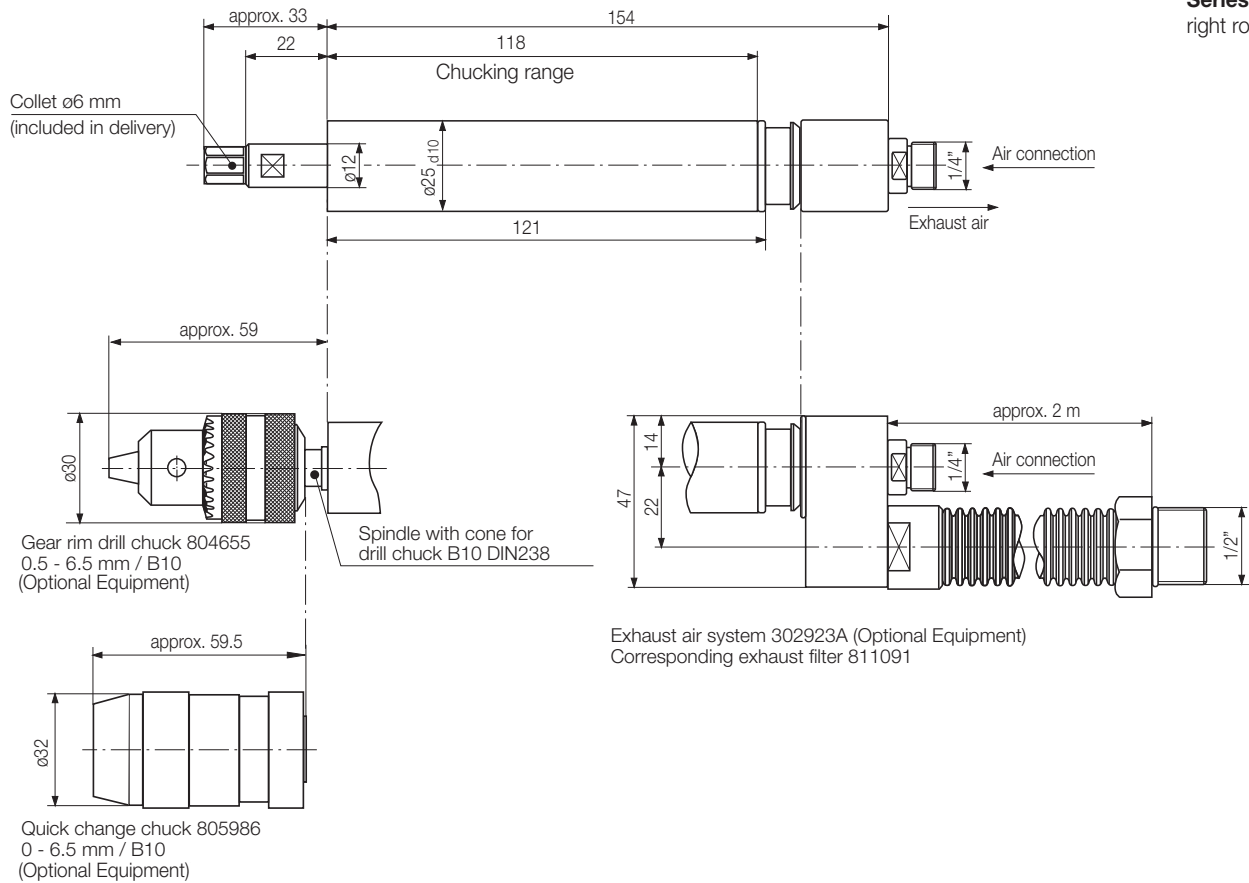
**Motor size 1**  
**Series 104-**  
right rotation



Dimensions in mm

p203439

**Motor size 2**  
**Series 104-**  
right rotation



Dimensions in mm

## 250 W / 400 W drilling motors with collet or drill chuck

Motor size 2.5		right rotation					
Series 104- with collet	Type Part no.	104-0250-1 302897A	104-1250-1 302897B	104-2250-1 302897C	104-7250-1 302897D	104-3250-1 302897E	104-4250-1 302897F
Series 104- for drill chuck	Type Part no.	104-0250 302900A	104-1250 302900B	104-2250 302900C	104-7250 302900D	104-3250 302900E	104-4250 302900F
Nominal-Power	W / HP	250 / 0.33	250 / 0.33	250 / 0.33	250 / 0.33	250 / 0.33	250 / 0.33
Nominal-Speed	rpm	8500	2400	1250	700	350	175
Speed (idling)	rpm	17000	4800	2500	1400	700	350
Nominal-Torque	Nm / in.lbs	0.28 / 2.5	1 / 9	1.9 / 17	3.4 / 30	6.8 / 60	13.6 / 125
Start-Torque min.	Nm / in.lbs	0.42 / 3.7	1.5 / 13	2.8 / 25	5.1 / 45	10.2 / 90	20.4 / 180
Air consumption	m <sup>3</sup> /min / cfm	0.35 / 12	0.35 / 12	0.35 / 12	0.35 / 12	0.35 / 12	0.35 / 12
Weight	kg / lbs	0.8 / 1.8	0.8 / 1.8	0.8 / 1.8	0.9 / 2	0.9 / 2	0.9 / 2
Hose I.D.	mm / in.	6 / 1/4	6 / 1/4	6 / 1/4	6 / 1/4	6 / 1/4	6 / 1/4
for drilling steel up to	Ø mm / in.	–	4 / 5/32	6 / 15/64	8 / 5/16	10 / 25/64	10 / 25/64*
for drilling aluminium up to	Ø mm / in.	6 / 15/64	6 / 15/64	8 / 5/16	10 / 25/64	–	–

Performance data relate to an air pressure of 6 bar (85 PSI) and lubricated air. With oil-free operation the output will be reduced by 10 - 20%.

\*) for stainless steel, air connection and drive shaft regular steel.

Motor size 3		right rotation					
Series 104- for drill chuck	Type Part no.	104-030 302937A	104-130 302937B	104-230 302937C	104-730 302937D	104-830 302937E	104-930 302937H
Nominal-Power	W / HP	400 / 0.54	400 / 0.54	400 / 0.54	400 / 0.54	400 / 0.54	400 / 0.54
Nominal-Speed	rpm	8500	2400	1250	700	350	200
Speed (idling)	rpm	17000	4800	2500	1400	700	400
Nominal-Torque	Nm / in.lbs	0.44 / 3.9	1.6 / 14	3 / 26	5.4 / 48	10.5 / 92.9	19 / 168.2
Start-Torque min.	Nm / in.lbs	0.66 / 5.8	2.4 / 21	4.5 / 40	8.1 / 72	15.7 / 138.9	28.5 / 252.2
Air consumption	m <sup>3</sup> /min / cfm	0.42 / 15	0.42 / 15	0.42 / 15	0.42 / 15	0.42 / 15	0.42 / 15
Weight	kg / lbs	0.82 / 1.8	0.82 / 1.8	0.82 / 1.8	0.92 / 2	1.3 / 2.86	1.37 / 3
Hose I.D.	mm / in.	10 / 3/8	10 / 3/8	10 / 3/8	10 / 3/8	10 / 3/8	10 / 3/8
for drilling steel up to	Ø mm / in.	–	4 / 5/32	6 / 15/64	8 / 5/16	10 / 3/8	10 / 3/8
for drilling aluminium up to	Ø mm / in.	6 / 15/64	6 / 15/64	8 / 5/16	10 / 25/64	10 / 3/8	12 / 15/32

Performance data relate to an air pressure of 6 bar (85 PSI) and lubricated air. With oil-free operation the output will be reduced by 10 - 20%.

Air connection and drive shaft regular steel.

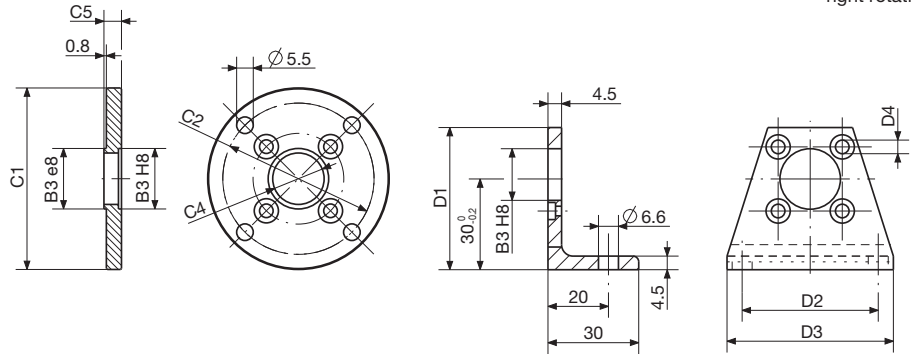
Optional Equipment		for Motor size 2.5		for Motor size 3	
				type 104-0/1/2/730	type 104-8/930
<b>Flange</b> incl. cylinder-screws	Part no.		4445305	4445305	4446105
<b>Bracket</b> incl. cylinder-screws	Part no.		4445393	4445393	4446112
<b>Collet</b>	Ø 3 mm	Part no.	312681		–
	Ø 4 mm	Part no.	312684		–
	Ø 4,5 mm	Part no.	312685		–
	Ø 5 mm	Part no.	312686		–
	Ø 6 mm		included in delivery		–
	Ø 1/8" (3.175 mm)	Part no.	312682		–
	Ø 1/4" (6.35 mm)	Part no.	312689		–
<b>Gear rim drill chuck</b>	Range 0.8 - 10 mm / B 12	Part no.	804650		804650
	Range 1.5 - 13 mm / B 12	Part no.	804694		804694
<b>Quick change chuck</b>	Range 0.5 - 8 mm / B 12				
	(not suitable for type 104-0250/104-030)	Part no.	805985		805985
Noise level	at standard version		75 dB (A)		75 dB (A)
	with exhaust air system and exhaust filter		73 dB (A)		73 dB (A)
<b>Exhaust air system</b>	Part no.		388378A		388378A
<b>Exhaust filter</b>	Part no.		811091		811091
<b>Maintenance unit with lubricator*</b>	Part no.		820454A		820455A
	Connection thread		G 1/4		G 1/2
<b>Maintenance unit without lubricator*</b>	Part no.		822408A		822409A
	Connection thread		G 1/4		G 1/2
<b>Replacement part set</b> consisting of vanes, sealant rings, o-rings and silencers	Part no.		446087B		446088C

\*) Maintenance unit consists of pressure regulator valve, filter and optionally with or without lubricator

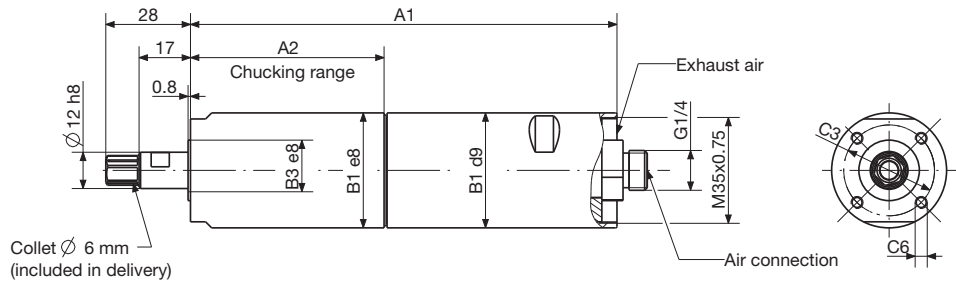
**Motor size 2.5**  
**Series 104-**  
 right rotation

**Motor size 3**  
**Series 104-**  
 right rotation

Flange/Bracket  
 (Optional Equipment)

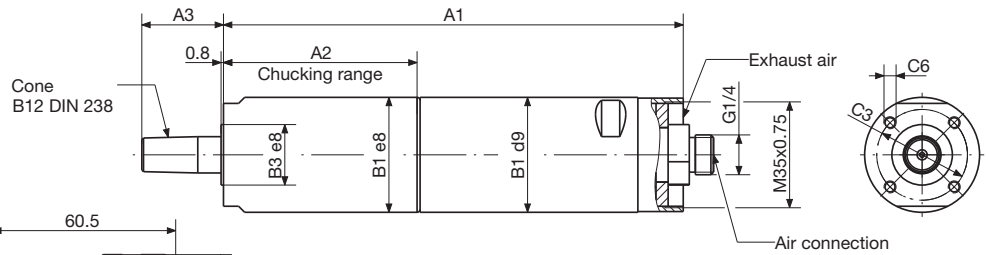


104-0250-1  
 to  
 104-4250-1

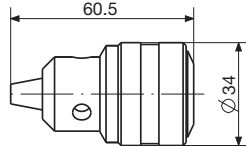


104-0250  
 to  
 104-4250

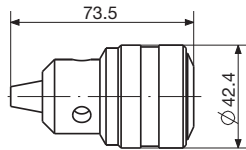
104-030  
 to  
 104-730



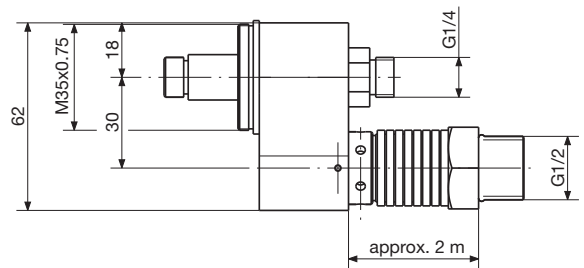
Gear rim  
 drill chuck 804650  
 0.8 - 10 mm / B12



Gear rim  
 drill chuck 804694  
 1.5 - 13 mm / B12



Quick change  
 chuck 805985  
 0.8 - 10 mm / B12



Exhaust air system, part no. 388378A  
 corresponding exhaust filter, part no. 811091

Dimensions in mm

p3000771

Motor size	Series 104- Type			Dimensions of motor, bracket and flange (mm)															
				A1	A2	A3	B1	B2	B3	C1	C2	C3	C4	C5	C6	D1	D2	D3	D4
2.5	104-0250-1	104-1250-1	104-2250-1	141	64	-													
	104-7250-1	104-3250-1	104-4250-1	157	80														
	104-0250	104-1250	104-2250	141	64		38	34	20	60	50	30	17	5.8	M4	47	45	55	4.5
	104-7250	104-3250	104-4250	157	80	27													
3	104-030	104-130	104-230	152	64		38	34	20	60	50	30	17	5.8	M4	47	45	55	4.5
	104-730			168	80														
	104-830	104-930		170	82	30	42	36	24	65	55	34	21	6.8	M5	48	50	60	5.5

## 600 W drilling motors made from stainless steel

Motor size 6		reversible						
Series 67-	Type	67-016B16	67-026B16	67-036B16	67-046B16	67-056B16	67-066B16	67-0661B16
for drill chuck	Part no.	445353H	445353B	445353C	445353D	445353E	445353F	445353G
Nominal-Power	W / HP	600 / 0.8	600 / 0.8	600 / 0.8	600 / 0.8	600 / 0.8	600 / 0.8	300 / 0.4
Nominal-Speed	rpm	1750	1350	850	315	240	150	75
Speed (idling)	rpm	3500	2700	1700	630	480	300	150
Nominal-Torque	Nm / in.lbs	3.2 / 28	4.2 / 37	6.7 / 59	18 / 159	24 / 212	38 / 336	38 / 336
Start-Torque min.	Nm / in.lbs	4.8 / 42	6.4 / 57	10.1 / 89	27 / 239	36 / 319	57 / 504	57 / 504
Air consumption	m <sup>3</sup> /min / cfm	0.85 / 30	0.85 / 30	0.85 / 30	0.85 / 30	0.85 / 30	0.85 / 30	0.55 / 19
Weight	kg / lbs	2.1 / 4.6	2.1 / 4.6	2.1 / 4.6	2.2 / 4.8	2.3 / 5.1	2.3 / 5.1	2.3 / 5.1
Hose I.D.	mm / in.	12 / 1/2	12 / 1/2	12 / 1/2	12 / 1/2	12 / 1/2	12 / 1/2	12 / 1/2
for drilling steel up to	Ø mm / in.	3 / 1/8	5 / 13/64	8 / 5/16	13 / 33/64	13 / 33/64	13 / 33/64	13 / 33/64
for drilling aluminium up to	Ø mm / in.	3 / 1/8	5 / 13/64	8 / 5/16	13 / 33/64	13 / 33/64	13 / 33/64	13 / 33/64

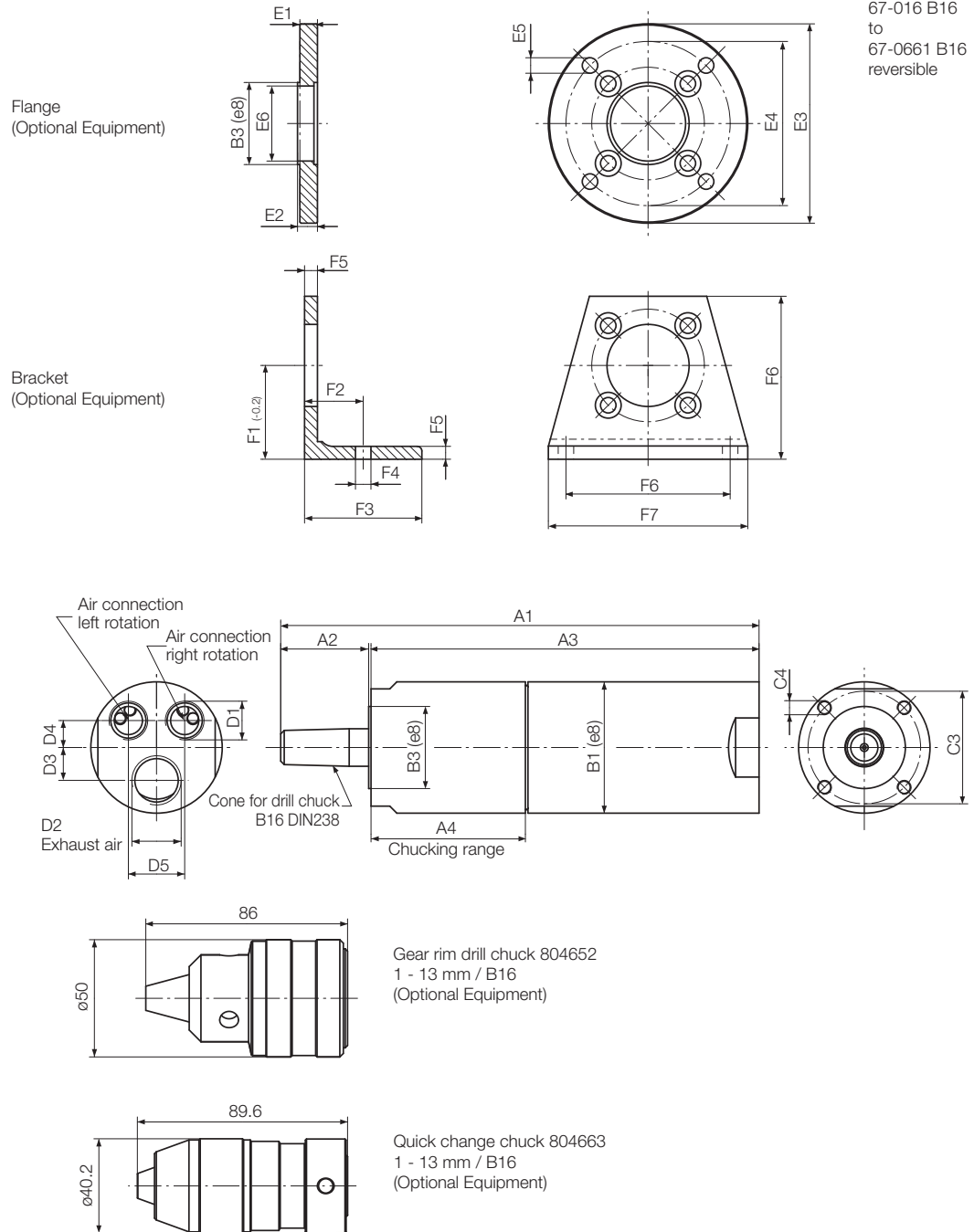
Performance data relate to an air pressure of 6 bar (85 PSI) and lubricated air. With oil-free operation the output will be reduced by 10 - 20%.

Optional Equipment		for Motor size 6 Series 67-
<b>Flange</b> incl. cylinder-screws	Part no.	4446166
<b>Bracket</b> incl. cylinder-screws	Part no.	4446176
<b>Gear rim drill chuck</b>		
Range 1 - 13 mm / B 16	Part no.	804652
<b>Quick change chuck</b>		
Range 1 - 13 mm / B 16	Part no.	804663
Noise level at standard version		104 dB (A)
with silencer		94 dB (A)
with exhaust air system		76 dB (A)
<b>Silencer – motor operates in one direction:</b>		
1 Air connection (right- or left-rotation)		
1 Hose-nozzle	Part no.	410540 (G 3/8)
1 Silencer	Part no.	802671 (G 3/8)
1 Silencer	Part no.	802666 (G 1/2)
<b>Silencer – motor is reversible:</b>		
2 Air connections (right- and left-rotation)		
2 Hose-nozzles	Part no.	410540 (G 3/8)
1 Silencer	Part no.	802666 (G 1/2)
<b>Silencer system – motor operates in one direction</b>	Part no.	440019B
<b>Silencer system – motor is reversible</b>	Part no.	440019A
<b>Maintenance unit with lubricator*</b>	Part no.	820455A
Connection thread		G 1/2
<b>Maintenance unit without lubricator*</b>	Part no.	822409A
Connection thread		G 1/2
<b>Replacement part set</b> consisting of		
vanes, sealant rings, o-rings	Part no.	444787A (for motor type 67-016/026/036/046B16)
and silencers	Part no.	444787B (for motor type 67-056/066/0661B16)

\*) Maintenance unit consists of pressure regulator valve, filter and optionally with or without lubricator.

Our standard maintenance units are not ATEX conform. Please contact us if this is a requirement.

**Motor size 6**  
67-016 B16  
to  
67-0661 B16  
reversible



Dimensions in mm

p440183

Motor Size	Series 67- Type			Dimensions of Motor (mm)												
				A1	A2	A3	A4	B1	B3	C3	C4	D1	D2	D3	D4	D5
6	67-016B16	67-026B16	67-036B16	204	37.5	166	66									
	67-046B16			222	37.5	184	84	56	35	48	M6	G <sup>3</sup> / <sub>8</sub>	G <sup>1</sup> / <sub>2</sub>	14	11.5	24
	67-056B16	67-066B16	67-0661B16	219	38	180	80									

Motor Size	Dimensions Flange Part no. 4446166 (mm)							Dimensions Bracket Part no. 4446176 (mm)						
	B3	E1	E2	E3	E4	E5	E6	F1	F2	F3	F4	F5	F6	D5
6	35	7.5	8.5	85	70	6.6	32	40	25	50	6.6	5.5	70	85



## 150 W / 250 W / 300 W grinding motors

		right rotation			
Type		211-43	202-30	203-30EA	203-45EA
Part no.		314740C	315082A	6061173B	6061174B
Nominal-Power	W / HP	150 / 0.2	250 / 0.33	300 / 0.4	300 / 0.4
Speed (idling)	rpm	47.000	32.000	30.000	45.000
Air consumption (under load)	m <sup>3</sup> /min / cfm	0.23 / 8.1	0.3 / 11	0.45 / 15.9	0.45 / 15.9
Weight	kg / lbs	0.36 / 0.8	0.8 / 1.76	0.7 / 1.54	0.7 / 1.54
Hose I.D.	mm / in.	6 / 1/4	6 / 1/4	6 / 1/4	6 / 1/4
Aire inlet pipe thread size		1/4" m	1/4" m	-	-
Max. head-Ø milling insert (high grade steel)	mm / in.	6 / 1/4	10 / 25/64	6 / 1/4	6 / 1/4
Max. head-Ø grinding insert	mm / in.	13 / 33/64	25 / 1	20 / 25/32	20 / 25/32
Max. diameter of the vane disc	mm / in.	15 / 19/32	25 / 1	25 / 1	15 / 19/32
Length of the inlet hose / exhaust hose	m / ft.	-	-	2/1.25 / 6.6/4.1	2/1.25 / 6.6/4.1

Performance data relate to an air pressure of 6 bar (85 PSI) and lubricated air. With oil-free operation the output will be reduced by 10 - 20%.

### Included in delivery

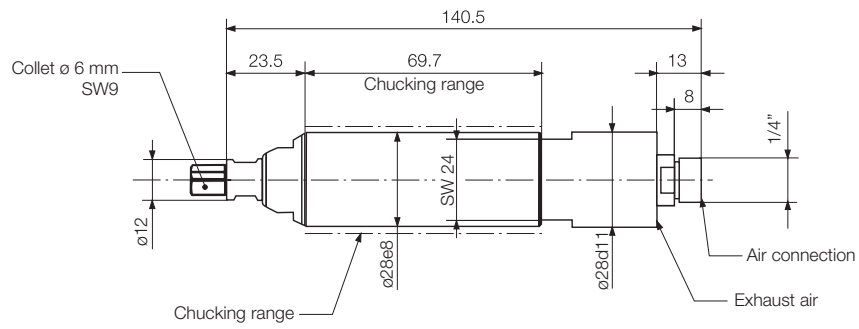
Collet Ø 6 mm	Part no.	312688	312688	830648	830648
Wrench	Part no.	800401 (9 mm)	800401 (9 mm)	805491 (11 mm)	805491 (11 mm)
Wrench	Part no.	800402 (10 mm)	800402 (10 mm)		
Wrench 6/9	Part no.	-	-	830649	830649
Exhaust air system		-	-	✓	✓
Exhaust filter		-	-	✓	✓

### Optional Equipment

<b>Collet</b>	Ø 3 mm	Part no.	312681	312681	830650	830650
	Ø 4 mm	Part no.	312684	312684	830702	830702
	Ø 5 mm	Part no.	312686	312686	830703	830703
	Ø 6 mm		included in delivery	included in delivery	included in delivery	included in delivery
	Ø 1/8" (3.175 mm)	Part no.	312682	312682	830651	830651
	Ø 3/16" (4.76 mm)	Part no.	-	-	830652	830652
	Ø 1/4" mm (6.35 mm)	Part no.	312689	312689	830653	830653
Noise level at version without exhaust air system			85 dB (A)	71 dB (A)	-	-
version with exhaust air system and exhaust filter			73 dB (A)	73 dB (A)	78 dB (A)	79 dB (A)
<b>Exhaust air system</b>	Part no.	334615H	302923B	included in delivery	included in delivery	
<b>Exhaust filter</b>	Part no.	811091	811091	included in delivery	included in delivery	
<b>Maintenance unit with lubricator*</b>	Part no.	820454A	820454A	820454A	820454A	
Connection thread		G 1/4	G 1/4	G 1/4	G 1/4	
<b>Maintenance unit without lubricator*</b>	Part no.	822408A	822408A	822408A	822408A	
Connection thread		G 1/4	G 1/4	G 1/4	G 1/4	
<b>Replacement part set</b> consisting of vanes, sealant rings, o-rings and silencers	Part no.	444922A	444921A	440502A	440502A	

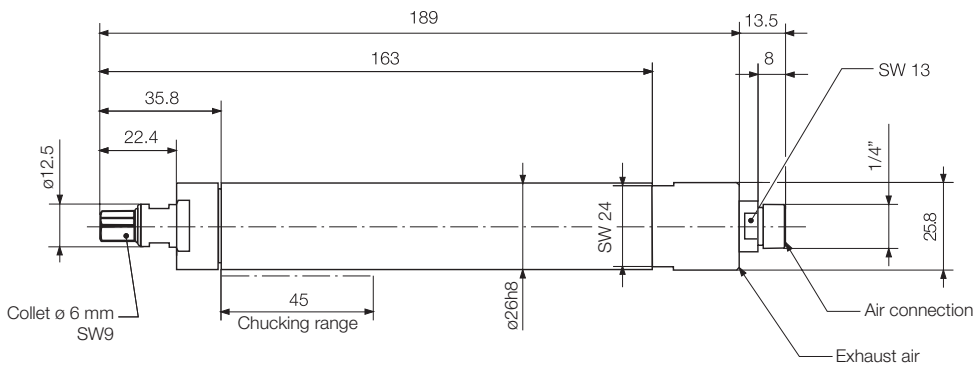
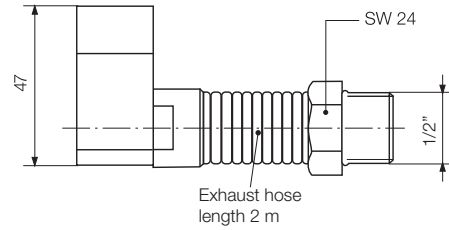
\*) Maintenance unit consists of pressure regulator valve, filter and optionally with or without lubricator





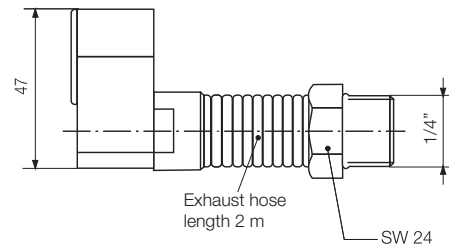
**Type 211-43**  
right rotation

**Exhaust air system 334615H (Optional Equipment) Corresponding exhaust filter 811091**



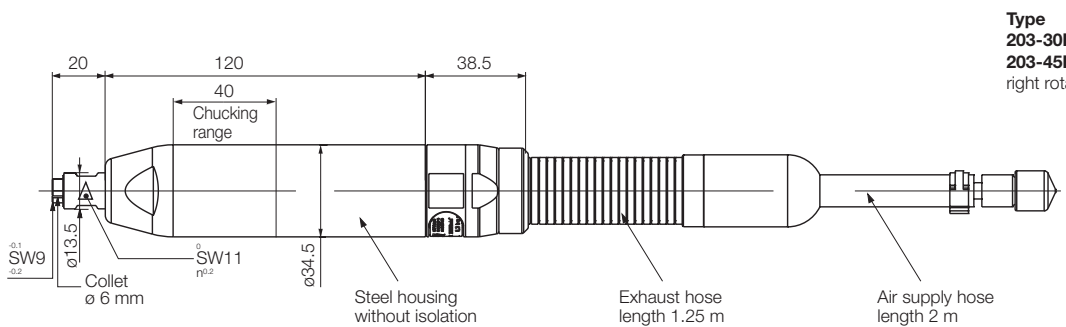
**Type 202-30**  
right rotation

**Exhaust air system 302923B (Optional Equipment) Corresponding exhaust filter 811091**



Dimensions in mm

p203428



**Type 203-30EA 203-45EA**  
right rotation

Dimensions in mm

m6077877

## 400 W / 500 W / 700 W / 1000 W milling motors and grinding motors

		right rotation			
Milling motor	Type	27-030	-	-	-
Grinding motors	Type	-	205-20EA	207-19EA	210-15EA
	Part no.	314925A	6061168B	6061169B	6061172B
Nominal-Power	W / HP	400 / 0.54	500 / 0.67	700 / 0.94	1.000 / 1.34
Speed (idling)	rpm	20.000	20.000	19.000	15.300
Air consumption (under load)	m <sup>3</sup> /min / cfm	0.38 / 13.4	0.9 / 31.8	0.9 / 31.8	1.0 / 35.3
Weight	kg / lbs	0.7 / 1.54	1.2 / 2.64	1.7 / 3.74	1.7 / 3.74
Hose I.D.	mm / in.	10 / <sup>25</sup> / <sub>64</sub>	10 / <sup>25</sup> / <sub>64</sub>	10 / <sup>25</sup> / <sub>64</sub>	12 / <sup>15</sup> / <sub>32</sub>
Aire inlet pipe thread size		¼" m	-	-	-
Max. head-Ø milling insert (high grade steel)	mm / in.	12 / <sup>15</sup> / <sub>32</sub>	16 / <sup>5</sup> / <sub>8</sub>	16 / <sup>5</sup> / <sub>8</sub>	16 / <sup>5</sup> / <sub>8</sub>
Max. head-Ø grinding insert	mm / in.	32 / 1¼	32 / 1¼	40 / <sup>137</sup> / <sub>64</sub>	50 / <sup>131</sup> / <sub>32</sub>
Max. diameter of the vane disc	mm / in.	-	40 / <sup>137</sup> / <sub>64</sub>	40 / <sup>137</sup> / <sub>64</sub>	50 / <sup>131</sup> / <sub>32</sub>
Length of the inlet hose / exhaust hose	m / ft.	-	2/1 6.56/3.28	2/1 6.56/3.28	2/1 6.56/3.28

Performance data relate to an air pressure of 6 bar (85 PSI) and lubricated air. With oil-free operation the output will be reduced by 10 - 20%.

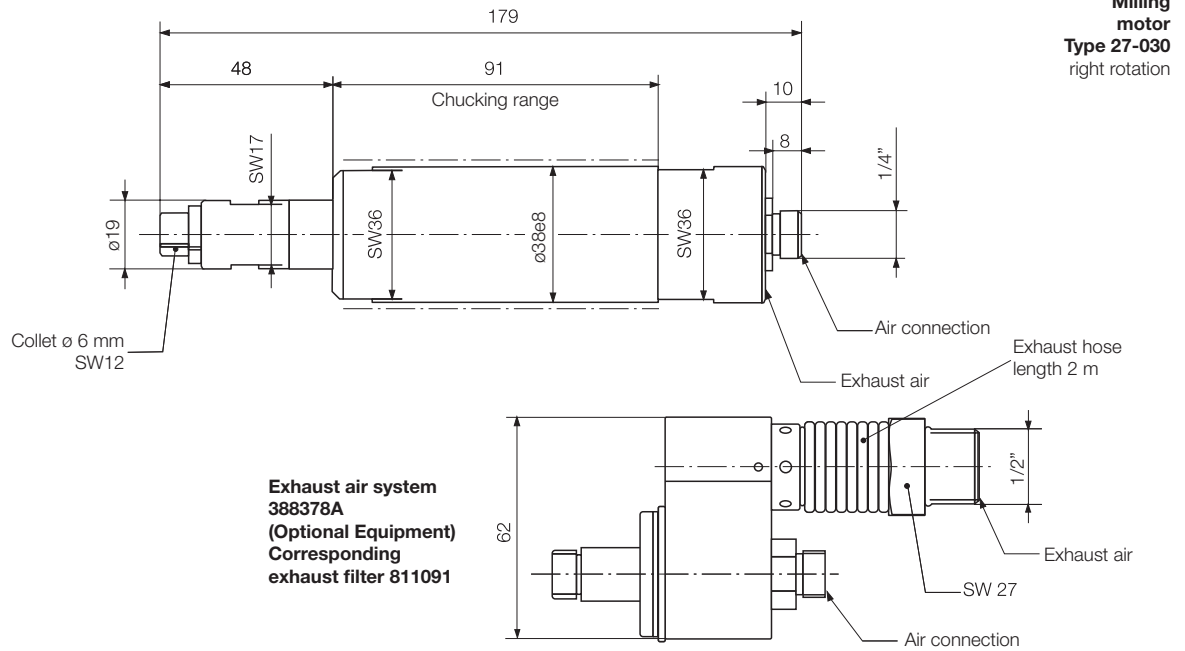
### Included in delivery

Collet Ø 6 mm	Part no.	312694	6014315	315018	315018
Wrench	Part no.	800403 (12 mm)	800402 (10 mm)	800405 (17 mm)	800405 (17 mm)
Wrench	Part no.	800405 (17 mm)	800410 (14 mm)	800416 (22 mm)	800416 (22 mm)
Exhaust air system		-	✓	✓	✓
Exhaust filter		-	✓	✓	✓

### Optional Equipment

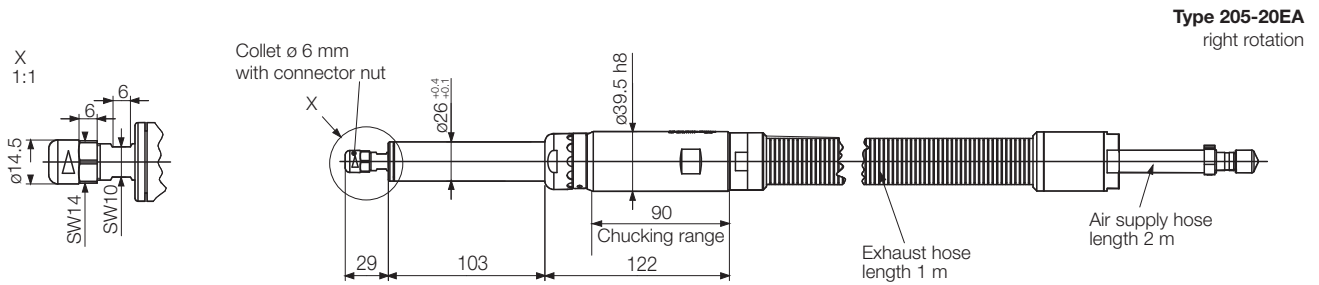
<b>Collet</b>	Ø 3 mm	Part no.	312690	6014320	6014317	6014317
	Ø 4 mm	Part no.	312692	6014321	6017743	6017743
	Ø 5 mm	Part no.	312693	-	6017744	6017744
	Ø 6 mm		included in delivery	included in delivery	included in delivery	included in delivery
	Ø 7 mm	Part no.	312739	-	-	-
	Ø 8 mm	Part no.	312696	-	315073	315073
	Ø 8 mm (stainless steel)	Part no.	-	-	6014282	6014282
	Ø 9 mm	Part no.	313137	-	315089	315089
	Ø 1/8" (3.175 mm)	Part no.	312691	6014320	-	-
	Ø 3/16" (4.76 mm)	Part no.	-	6014321	315088	315088
Ø 1/4" (6.35 mm)	Part no.	312695	6014314	315074	315074	
Ø 5/16"	Part no.	-	-	315090	315090	
Noise level at						
version without exhaust air system			75 dB (A)	-	-	-
version with exhaust air system and exhaust filter			73 dB(A)	79 dB(A)	79 dB(A)	80 dB(A)
<b>Exhaust air system</b>	Part no.	388378A	included in delivery	included in delivery	included in delivery	included in delivery
<b>Exhaust filter</b>	Part no.	811091	included in delivery	included in delivery	included in delivery	included in delivery
<b>Maintenance unit with lubricator*</b>	Part no.	820454A	820455A	820455A	820455A	820455A
Connection thread		G ¼	G ½	G ½	G ½	G ½
<b>Maintenance unit without lubricator*</b>	Part no.	822408A	822409A	822409A	822409A	822409A
Connection thread		G ¼	G ½	G ½	G ½	G ½
<b>Replacement part set</b> consisting of vanes, sealant rings, o-rings and silencers	Part no.	446088D	440502B	440502C	440502D	440502D

\*) Maintenance unit consists of pressure regulator valve, filter and optionally with or without lubricator



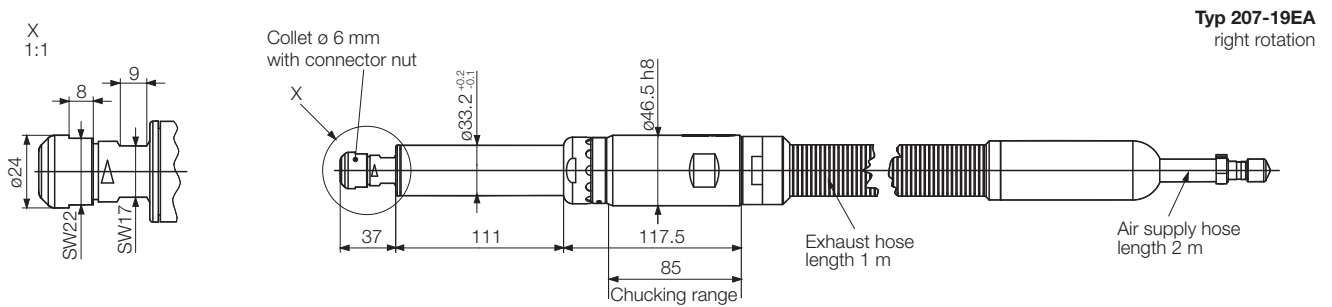
Dimensions in mm

p203428



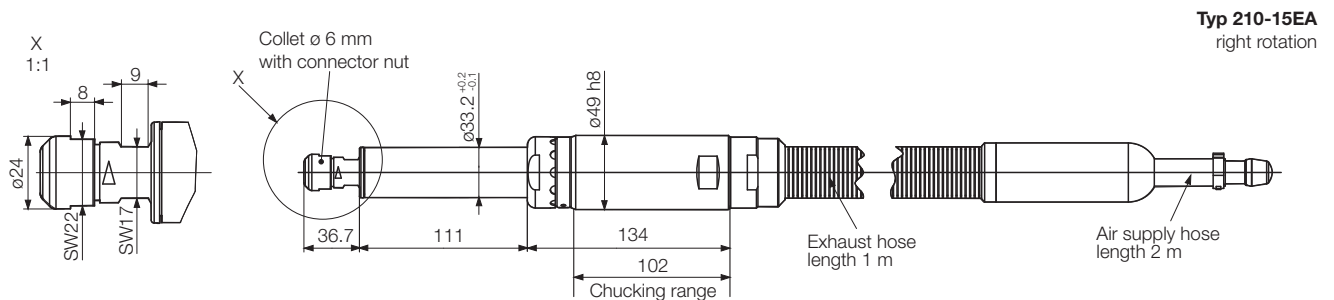
Dimensions in mm

m6077872



Dimensions in mm

m6077873



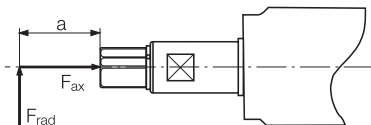
Dimensions in mm

m6077876

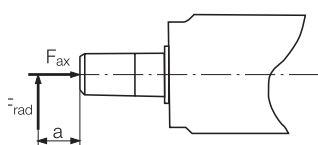
## Motors with collet

Type	Part no.	Fax [N]	Frad [N]	a [mm]
104-010-1	302929A	200	75	25
104-110-1	302929B			
104-210-1	302929C			
104-310-1	302929D			
104-020-1	302916A			
104-120-1	302916B			
104-220-1	302916C			
104-320-1	302916D			
104-420-1	302916E			
104-520-1	302916F			
104-0250-1	302897A	750	220	25
104-1250-1	302897B			
104-2250-1	302897C			
104-7250-1	302897D			
104-3250-1	302897E			
104-4250-1	302897F			

Collet

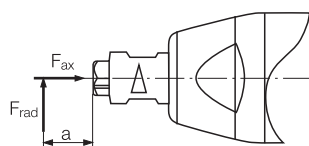


Drill chuck

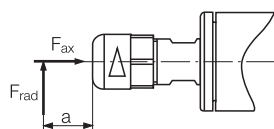


## Motors with drill chuck

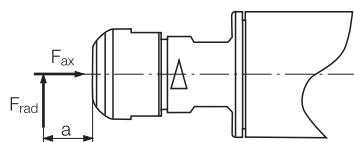
Type	Part no.	Fax [N]	Frad [N]	a [mm]			
104-120	302912B	380	35	60			
104-220	302912C						
104-320	302912D						
104-420	302912E						
104-520	302912F						
104-0250	302900A						
104-1250	302900B						
104-2250	302900C						
104-7250	302900D						
104-3250	302900E						
104-4250	302900F	750	150	70			
104-030	302937A						
104-130	302937B						
104-230	302937C						
104-730	302937D						
104-830	302937E						
104-930	302937H						
67-026B16	445353B				1100	265	80
67-036B16	445353C						
67-046B16	445353D						
67-016B16	445353H						
67-056B16	445353E						
67-066B16	445353F						
67-0661B16	445353G						



203-30EA / 203-45EA



205-20EA



207-19EA / 210-15EA

## Milling motors and Grinding motors

Type	Part no.	Fax [N]	Frad [N]	a [mm]
203-30EA	6061173B	20	40	25
203-45EA	6061174B			
205-20EA	6061168B	25	50	
207-19EA	6061169B	40	90	
210-15EA	6061172B	55	120	
211-43	314740C	15	30	
202-30	315082A			
27-030	314925A			
27-030	314925A	25	50	

## Speed standard values (rpm) for HSS spiral drills

Cutting Speed	35 m/min (115 ft./min)	28 m/min (90 ft./min)	25 m/min (80 ft./min)	14 m/min (45 ft./min)	11 m/min (35 ft./min)	7 m/min (23 ft./min)	22 m/min (70 ft./min)	12 m/min (40 ft./min)	50 m/min (165 ft./min)	90 m/min (300 ft./min)	165 m/min (540 ft./min)	210 m/min (690 ft./min)
Drill dia. mm/in.	Carbon steel			Alloy steel		Stainless steel	Cast-Iron		Copper Bronze Brass	Leightweight-Metal common alloy mid brass <sup>1)</sup> hard		Magnesium-Alloy <sup>2)</sup>
	up to 500 N/mm <sup>2</sup> (30 long tons/ sq. in.)	500 - 700 N/mm <sup>2</sup> (30 - 45 long tons/ sq. in.)	above 700 N/mm <sup>2</sup> (45 long tons/ sq. in.)	700 - 900 N/mm <sup>2</sup> (45 - 55 long tons/ sq. in.)	900 - 1100 N/mm <sup>2</sup> (55 - 70 long tons/ sq. in.)		up to 180 N/mm <sup>2</sup> (10 long tons/ sq. in.)	above 180 N/mm <sup>2</sup> (10 long tons/ sq. in.)				
1 / 0.04	11000	8800	7800	4400	3400	2200	7000	3800	16000	28000	52000	66000
2 / <sup>1</sup> / <sub>64</sub>	5500	4400	3900	2200	1700	1100	3500	1900	8000	14000	26000	33000
3 / <sup>1</sup> / <sub>8</sub>	3700	3000	2600	1500	1100	730	2300	1300	5300	9000	17300	22000
4 / <sup>1</sup> / <sub>32</sub>	2800	2200	2000	1100	850	550	1700	950	4000	7000	13000	16500
5 / <sup>3</sup> / <sub>64</sub>	2200	1800	1600	880	680	440	1400	760	3200	5600	10400	13200
6 / <sup>1</sup> / <sub>16</sub>	1900	1500	1300	735	570	365	1200	630	2700	4800	8700	11000
7 / <sup>3</sup> / <sub>32</sub>	1600	1300	1100	630	485	315	1000	540	2300	4000	7400	9400
8 / <sup>1</sup> / <sub>16</sub>	1400	1100	975	550	425	275	875	475	2000	3500	6500	8300
9 / <sup>3</sup> / <sub>64</sub>	1200	975	865	490	380	245	780	420	1800	3100	5800	7400
10 / <sup>1</sup> / <sub>16</sub>	1100	880	780	440	340	220	700	380	1600	2800	5200	6600

1) Speed for machining of thermoset plastics, laminates and hard laminates, however instead of the HSS-drills we recommend high-speed steel drills made with hard-metal K 10

2) for thermoplastics use approx. double the value

Tell us your operational conditions and our application consultants will be happy to help:

<b>Application:</b>	<input style="width: 100%; height: 60px;" type="text"/>		
<b>In what kind of environment will the motor be installed?</b>	<b>ATEX requirement / explosion safety?</b>	<input type="checkbox"/> yes	<input type="checkbox"/> no
	if yes, which safety class:	<input style="width: 100%;" type="text"/>	
	<b>food industry conformity?</b>	<input type="checkbox"/> yes	<input type="checkbox"/> no
	<b>sterilisable?</b>	<input type="checkbox"/> yes	<input type="checkbox"/> no
	<b>acid resistant?</b>	<input type="checkbox"/> yes	<input type="checkbox"/> no
	<b>steam resistant?</b>	<input type="checkbox"/> yes	<input type="checkbox"/> no
<b>Application conditions:</b>	<b>constant operation (24 hrs, non-stop)</b>	<input type="checkbox"/> yes	<input type="checkbox"/> no
	<b>duty cycle in hrs/day:</b>	<input style="width: 100%;" type="text"/>	
	<b>days/year:</b>	<input style="width: 100%;" type="text"/>	
	<b>cycle time (s):</b>	<input style="width: 100%;" type="text"/>	
	<b>motor loaded to stall?</b>	<input type="checkbox"/> yes	<input type="checkbox"/> no
	<b>self-locking?</b>	<input type="checkbox"/> yes	<input type="checkbox"/> no
<b>Required turn direction:</b>	<input type="checkbox"/> left	<input type="checkbox"/> right	<input type="checkbox"/> reversible
	(view from air inlet)		
<b>Motor performance:</b>	<b>power:</b>	<input style="width: 100%;" type="text"/>	W
	<b>nominal torque:</b>	<input style="width: 100%;" type="text"/>	Nm
	<b>nominal speed:</b>	<input style="width: 100%;" type="text"/>	rpm
<b>Performance influencing application conditions:</b>	<b>operating pressure (at motor inlet):</b>	<input style="width: 100%;" type="text"/>	bar
	<b>operation with lubricated air possible?</b>	<input type="checkbox"/> yes	<input type="checkbox"/> no
	<b>smallest opening cross-section of connection pieces and hoses?</b>	<input style="width: 100%;" type="text"/>	mm
<b>External motor design:</b>	<input type="checkbox"/> standard steel	<input type="checkbox"/> non-corrosive	<input type="checkbox"/> aluminium
	<input type="checkbox"/> plastics	<input type="checkbox"/> ceramics	
	<b>other:</b>	<input style="width: 100%;" type="text"/>	
<b>Drive spindle design:</b>	<b>drive shaft requirements:</b>	<input style="width: 100%;" type="text"/>	
	(e. g. keyed shafts, square end, hexagonal, collet, drill chuck taper, etc.)		
	<b>required dimensions:</b>	<input style="width: 100%;" type="text"/>	
<b>Motor fixture design:</b>	<b>mounting requirements:</b> (bracket, flange, etc.)	<input style="width: 100%;" type="text"/>	
	<b>required dimensions:</b>	<input style="width: 100%;" type="text"/>	
<b>Additional components:</b>	<input type="checkbox"/> holding brake	<input type="checkbox"/> operational brake	
	<b>gear box:</b>	<input style="width: 100%;" type="text"/>	
<b>Price range:</b>	<input style="width: 100%;" type="text"/>		
<b>Annual requirement:</b>	<input style="width: 100%;" type="text"/>		





# DEPRAG

**DEPRAG SCHULZ GMBH u. CO.**

P.O. Box 1352, D-92203 Amberg, Germany  
Carl-Schulz-Platz 1, D-92224 Amberg  
Phone (+49) 9621 371-0, Fax (+49) 9621 371-120  
[www.deprag.com](http://www.deprag.com)  
[info@deprag.de](mailto:info@deprag.de)



CERTIFIED AS PER DIN EN ISO 9001

---